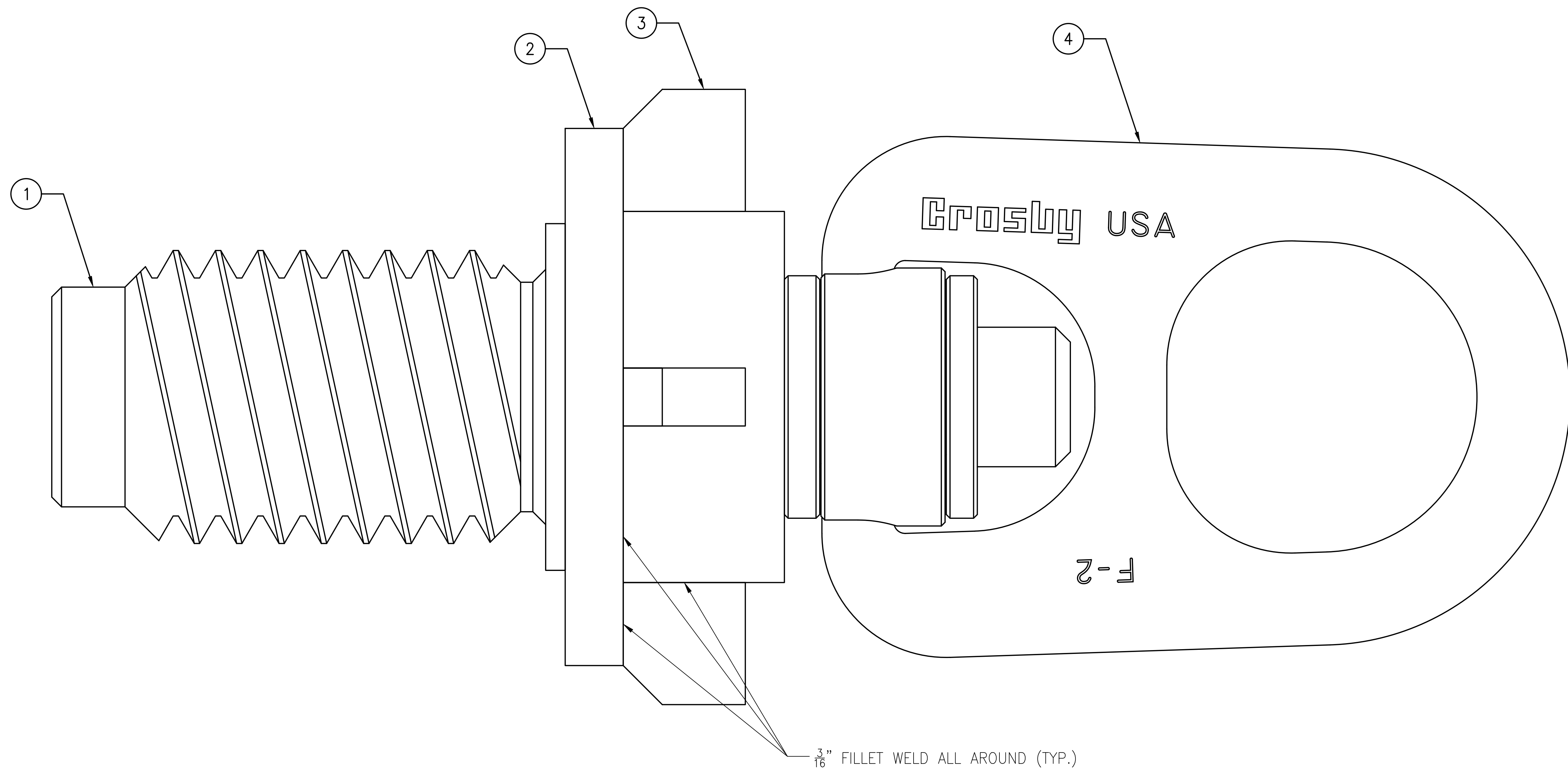


FILE NAME: 2025-1506-02 TTC TRIPLE START SOCKET ATTACHMENTS.DWG; PRINT DATE: 10/13/2025

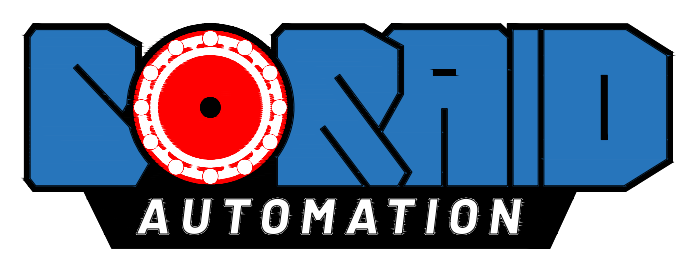


POS	QTY	SUPPLIER	PART NUMBER	DESCRIPTION	MATERIAL
1	1	BORAID AUTOMATION	2025-1506-MK01.01-00	TTC TRIPLE START LIFTING ATTACHMENT BASE	1018
2	1	BORAID AUTOMATION	2025-1506-MK01.02-00	LIFTING ATTACHMENT FLANGE	1018
3	4	BORAID AUTOMATION	2025-1506-MK01.03-00	LIFTING ATTACHMENT HAMMER TAB	1018
4	1	CROSBY GROUP	1068030	SWIVEL ATTACHMENT	-

- NOTES:**
1. LIFTING CAPACITY TO BE DETERMINED BY THE END USER.
 2. FOR USE WITH CROSBY 1068026 OR CROSBY 1068030 SWIVEL.
 3. FOR USE WITH TTC M60x130 PLASTIC GROUT SOCKET.

REV	DATE	BY	APP	DESCRIPTION

DESIGNED BY	D.VONPLATEN
DRAWN BY	J.JONASEN
CHECKED BY	D.VONPLATEN
IN CHARGE	-
DATE	2025.09.29

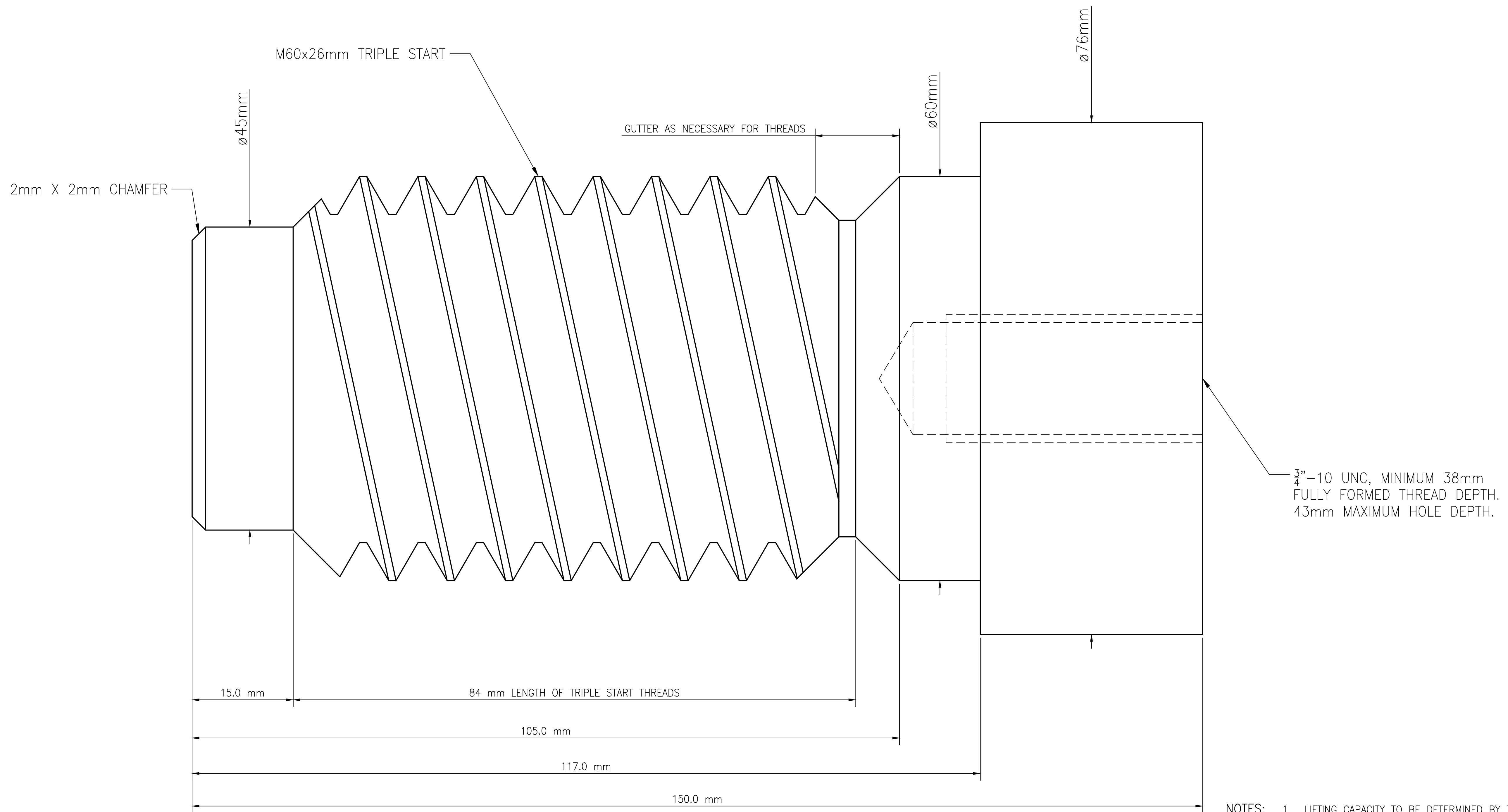


3050 E. AIRPORT WAY
LONG BEACH, CA 90806
562.264.2500

TTC TRIPLE START SOCKET ATTACHMENTS
LIFTING ATTACHMENT
-
Assembly
Part Number 2025-1506-MK01-00
-

CATALOG NO	2025-1506-MK01
DRAWING NO	2025-1506
SCALE	-
SHEET NO	01

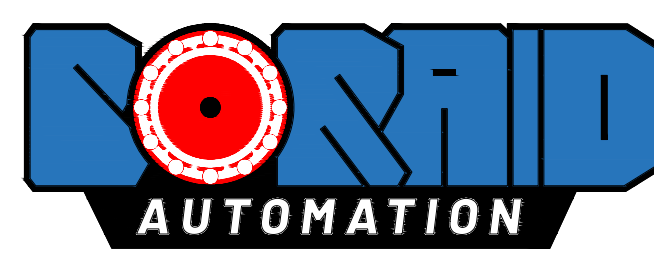
FILE NAME: 2025-1506-02 TTC TRIPLE START SOCKET ATTACHMENTS.DWG; PRINT DATE: 10/13/2025



- NOTES:**
1. LIFTING CAPACITY TO BE DETERMINED BY THE END USER.
 2. MATERIAL IS 1018 STEEL.
 3. REMOVE ALL SHARP EDGES.

REV	DATE	BY	APP	DESCRIPTION

DESIGNED BY	D.VONPLATEN
DRAWN BY	J.JONASEN
CHECKED BY	D.VONPLATEN
IN CHARGE	-
DATE	2025.09.29

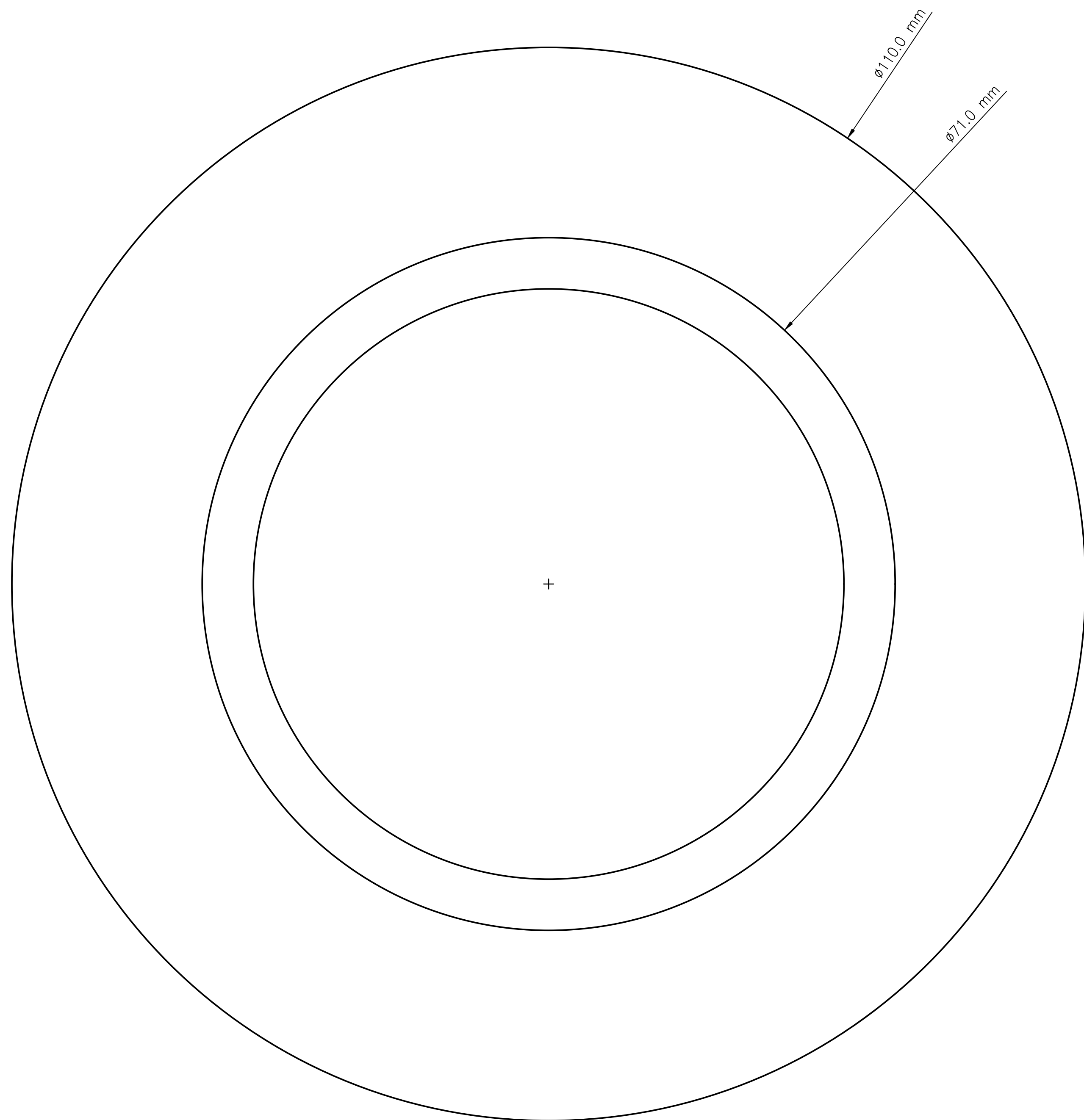


3050 E. AIRPORT WAY
 LONG BEACH, CA 90806
 562.264.2500

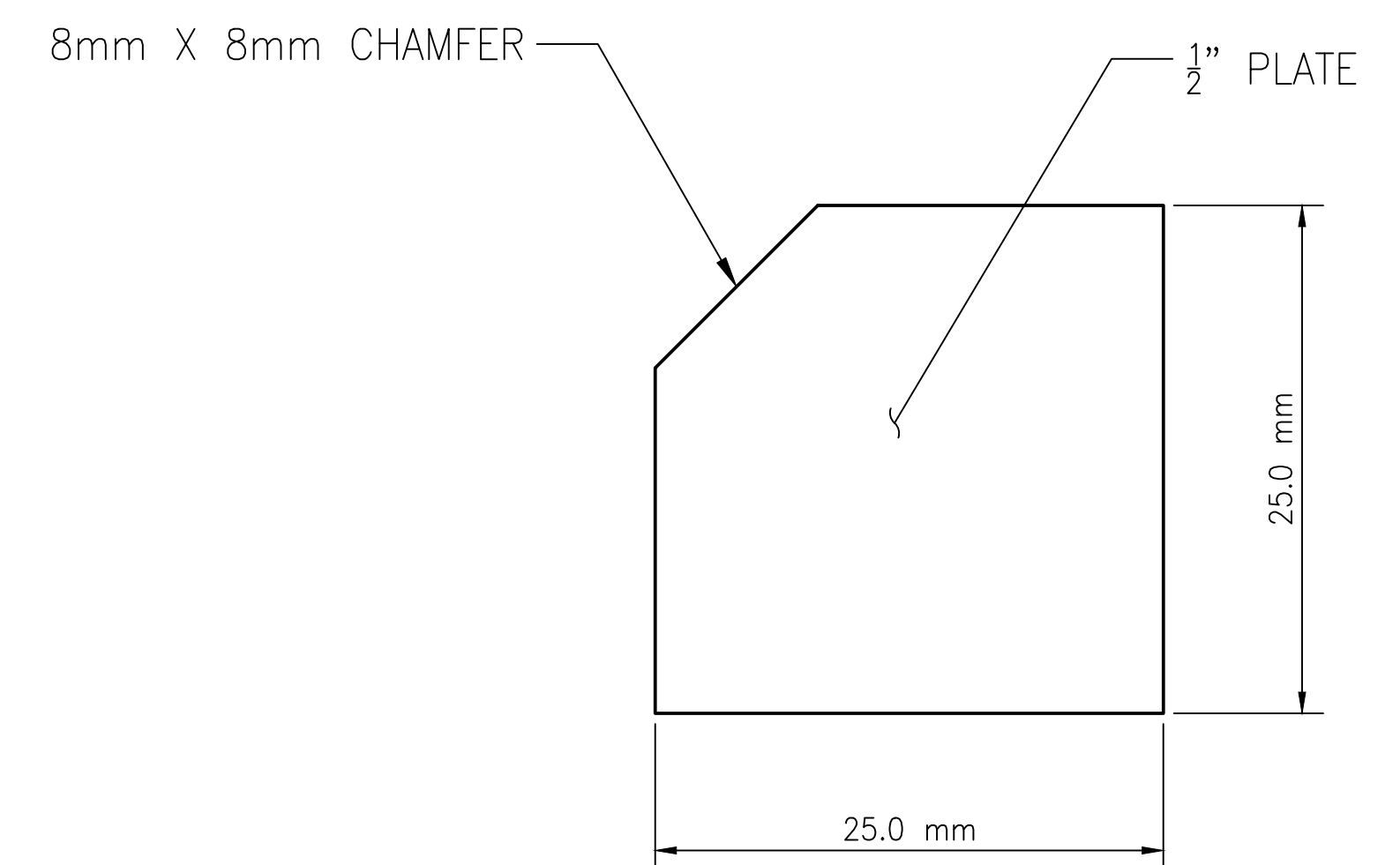
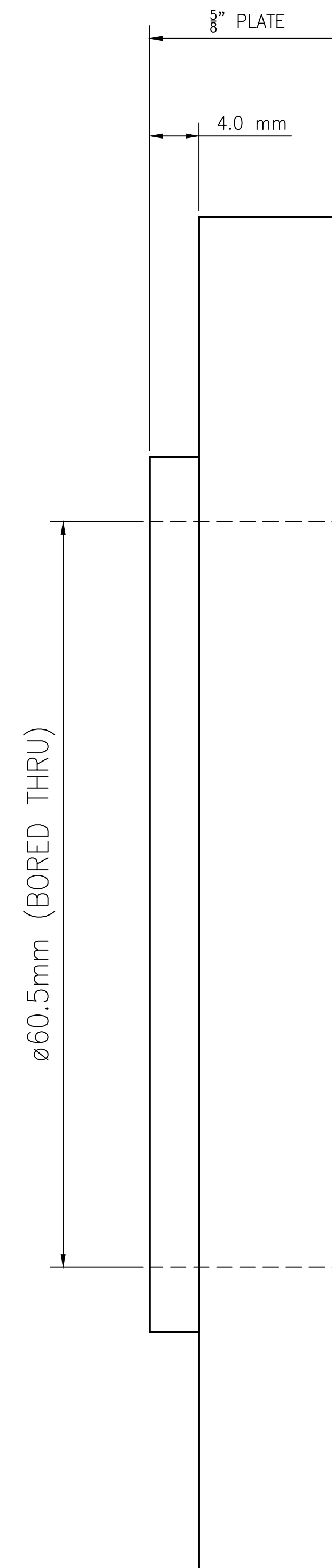
TTC TRIPLE START SOCKET ATTACHMENTS
 LIFTING ATTACHMENT
 -
 Lifting Attachment Base
 Part Number 2025-1506-MK01.01-00
 -

CATALOG NO	2025-1506-MK01
DRAWING NO	2025-1506
SCALE	-
SHEET NO	02

FILE NAME: 2025-1506-02 TTC TRIPLE START SOCKET ATTACHMENTS.DWG; PRINT DATE: 10/13/2025



1 MK01.02 FLANGE

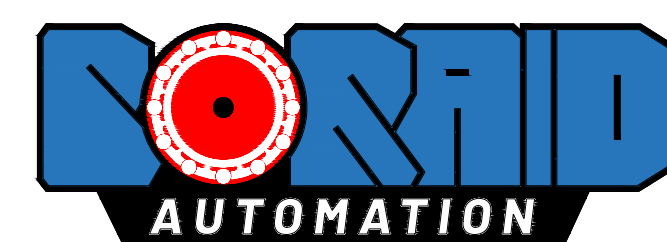


2 MK01.03 HAMMER TAB

- NOTES:**
1. LIFTING CAPACITY TO BE DETERMINED BY THE END USER.
 2. MATERIAL IS 1018 STEEL.
 3. REMOVE ALL SHARP EDGES.

REV	DATE	BY	APP	DESCRIPTION

DESIGNED BY	D.VONPLATEN
DRAWN BY	J.JONASEN
CHECKED BY	D.VONPLATEN
IN CHARGE	-
DATE	2025.09.29



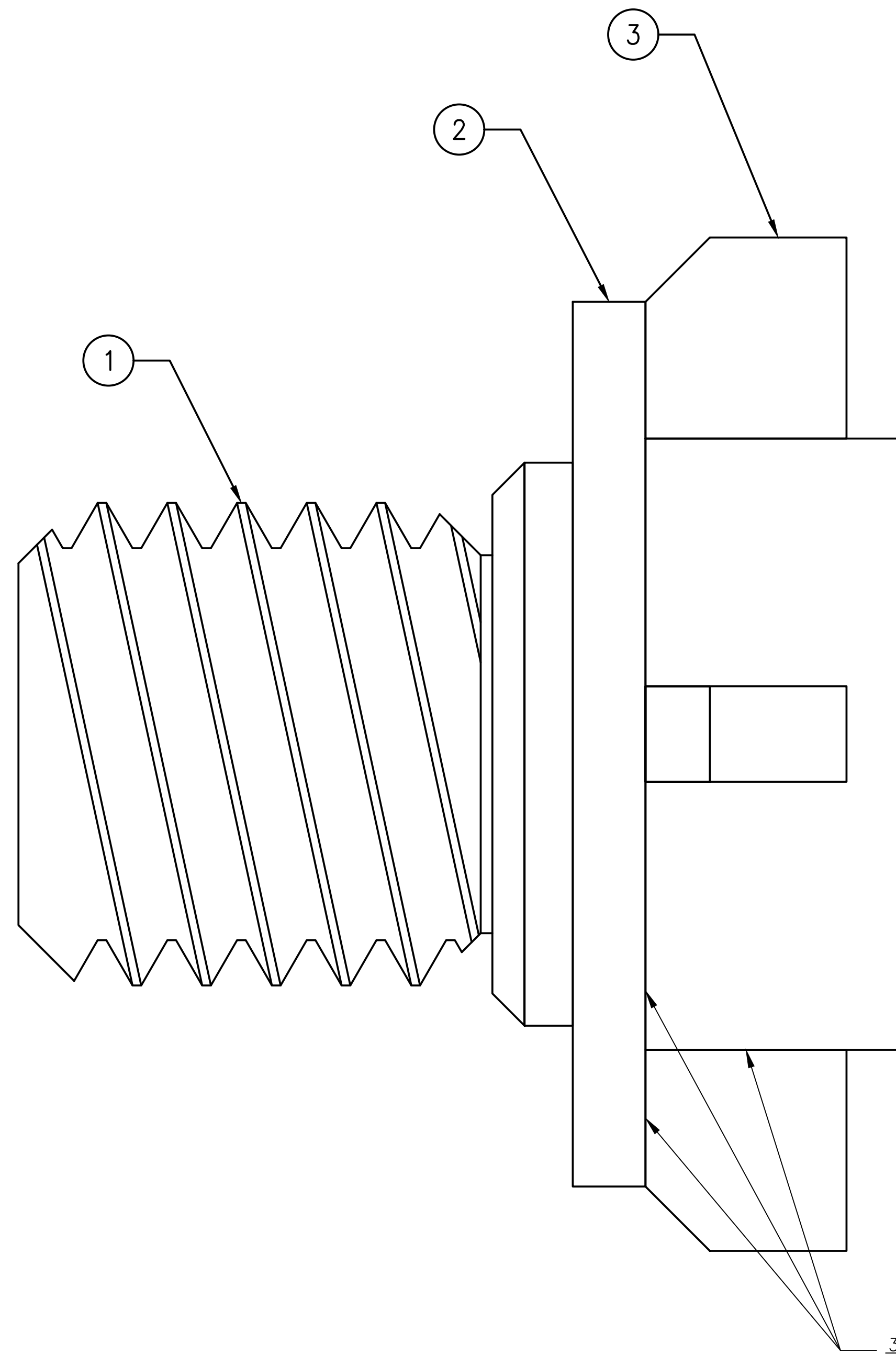
3050 E. AIRPORT WAY
LONG BEACH, CA 90806
562.264.2500

TTC TRIPLE START SOCKET ATTACHMENTS
LIFTING ATTACHMENT

Flange (PN 2025-1506-MK01.02-00)
Hammer Tab (PN 2025-1506-MK01.03-00)

CATALOG NO	2025-1506-MK01
DRAWING NO	2025-1506
SCALE	-
SHEET NO	03

FILE NAME: 2025-1506-02 TTC TRIPLE START SOCKET ATTACHMENTS.DWG; PRINT DATE: 10/13/2025



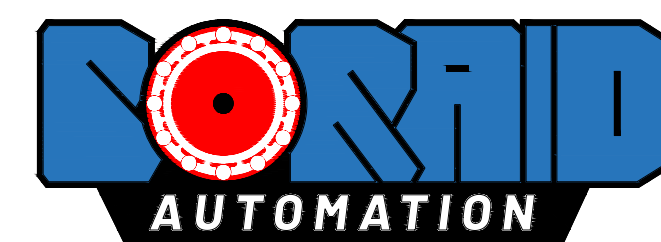
$\frac{3}{16}$ " FILLET WELD ALL AROUND (TYP.)

POS	QTY	SUPPLIER	PART NUMBER	DESCRIPTION	MATERIAL
1	1	BORAID AUTOMATION	2025-1506-MK02.01-00	TTC TRIPLE START GROUTING ATTACHMENT BASE	1018
2	1	BORAID AUTOMATION	2025-1506-MK02.02-01	GROUTING ATTACHMENT FLANGE	1018
3	4	BORAID AUTOMATION	2025-1506-MK02.03-00	GROUTING ATTACHMENT HAMMER TAB	1018

- NOTES:**
- SUITABILITY FOR APPLICATION TO BE DETERMINED BY THE END USER.
 - FOR USE WITH TTC M60x130 PLASTIC GROUT SOCKET.

REV	DATE	BY	APP	DESCRIPTION
01	2025.10.02	JSJ	-	UPDATED FLANGE TO 2025-1506-MK02.02-01

DESIGNED BY	D.VONPLATEN
DRAWN BY	J.JONASEN
CHECKED BY	D.VONPLATEN
IN CHARGE	-
DATE	2025.09.30

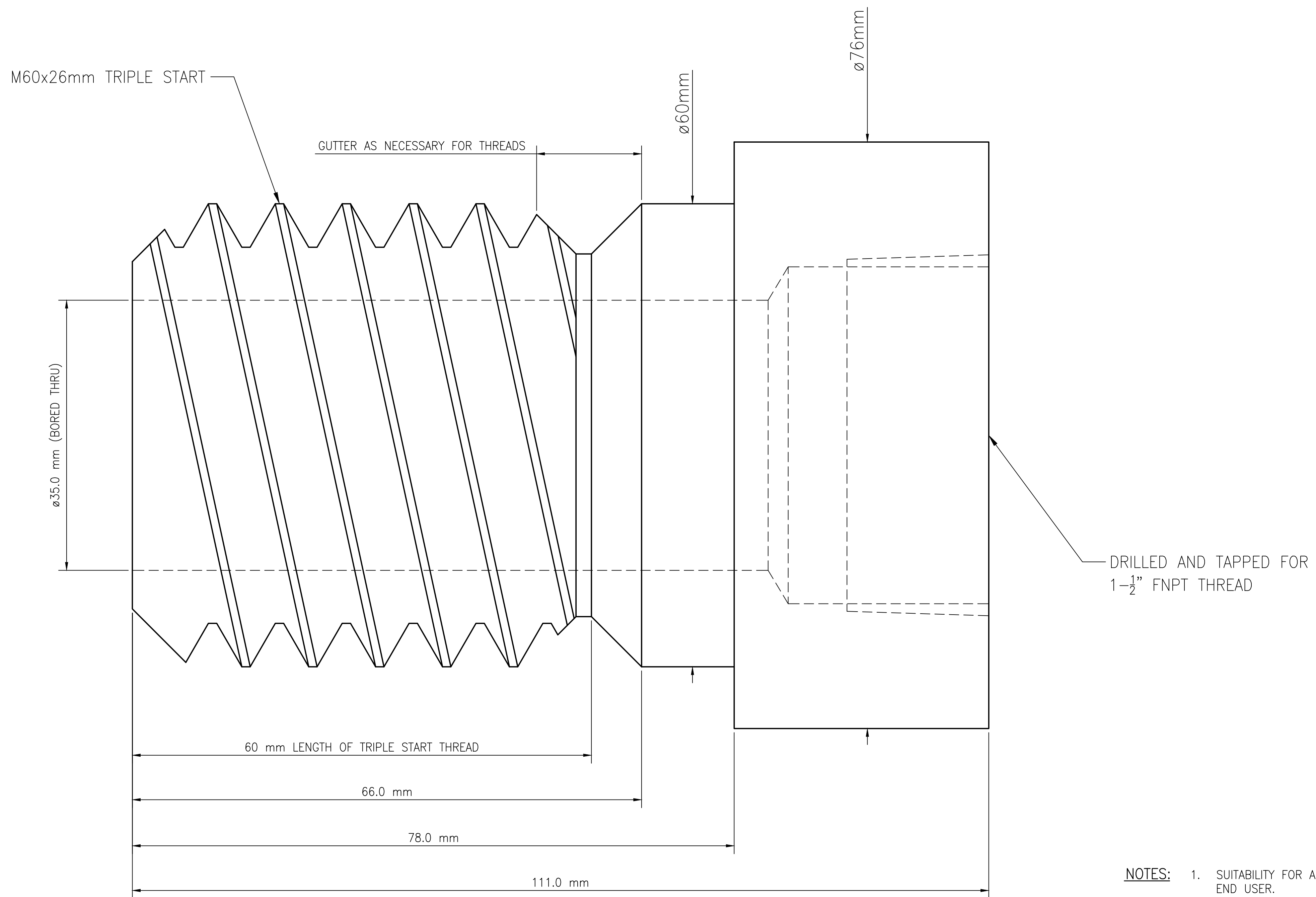


3050 E. AIRPORT WAY
LONG BEACH, CA 90806
562.264.2500

TTC TRIPLE START SOCKET ATTACHMENTS
GROUTING ATTACHMENT
—
Assembly
Part Number 2025-1506-MK02-01
—

CATALOG NO	2025-1506-MK02
DRAWING NO	2025-1506
SCALE	—
SHEET NO	04

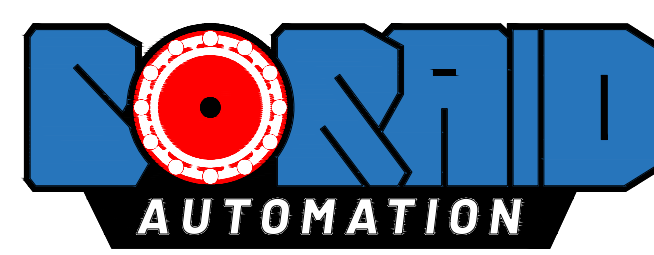
FILE NAME: 2025-1506-02 TTC TRIPLE START SOCKET ATTACHMENTS.DWG; PRINT DATE: 10/13/2025



- NOTES:**
1. SUITABILITY FOR APPLICATION TO BE DETERMINED BY THE END USER.
 2. MATERIAL IS 1018 STEEL.
 3. REMOVE ALL SHARP EDGES.

REV	DATE	BY	APP	DESCRIPTION

DESIGNED BY	D.VONPLATEN
DRAWN BY	J.JONASEN
CHECKED BY	D.VONPLATEN
IN CHARGE	-
DATE	2025.09.30

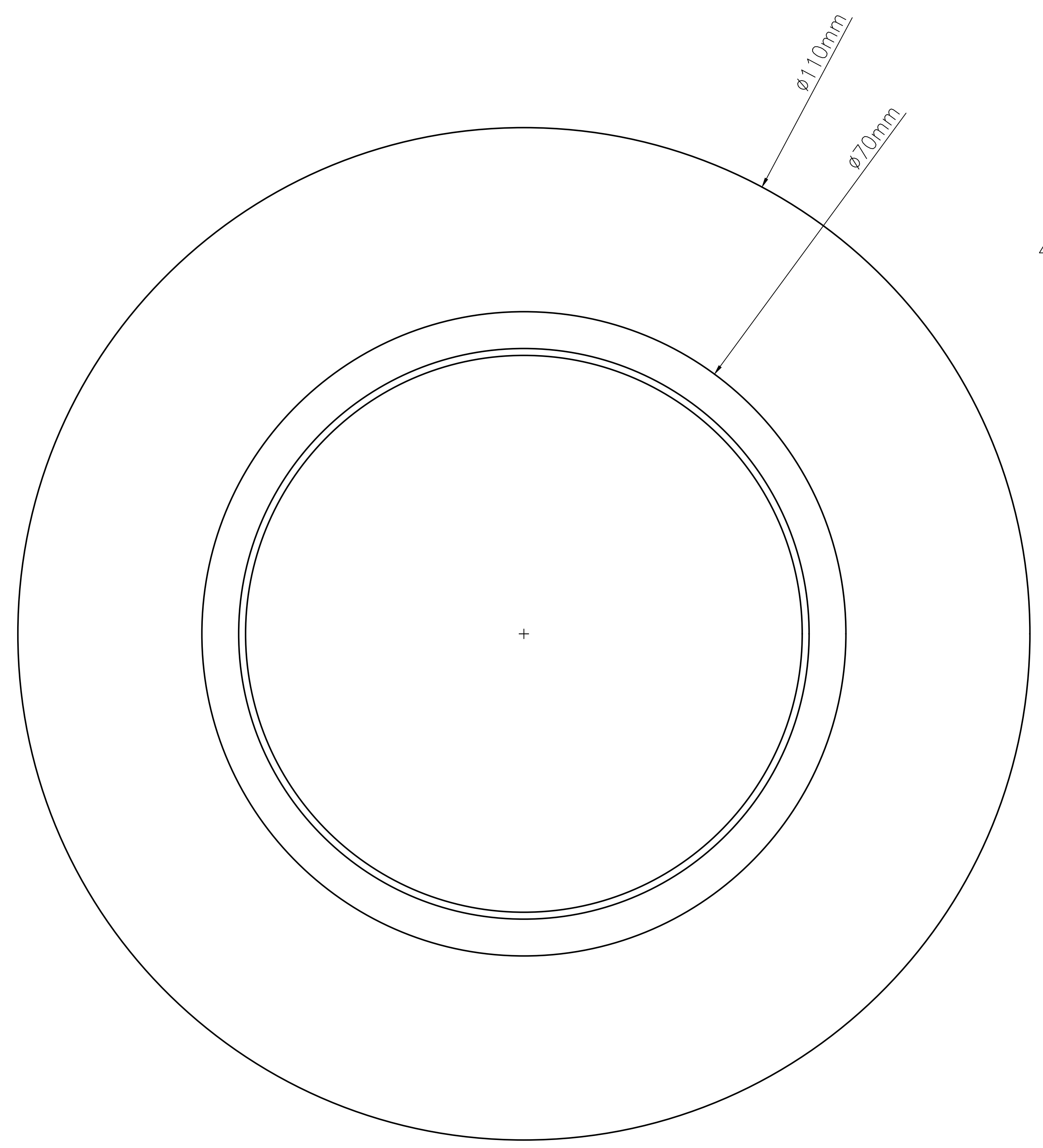


3050 E. AIRPORT WAY
 LONG BEACH, CA 90806
 562.264.2500

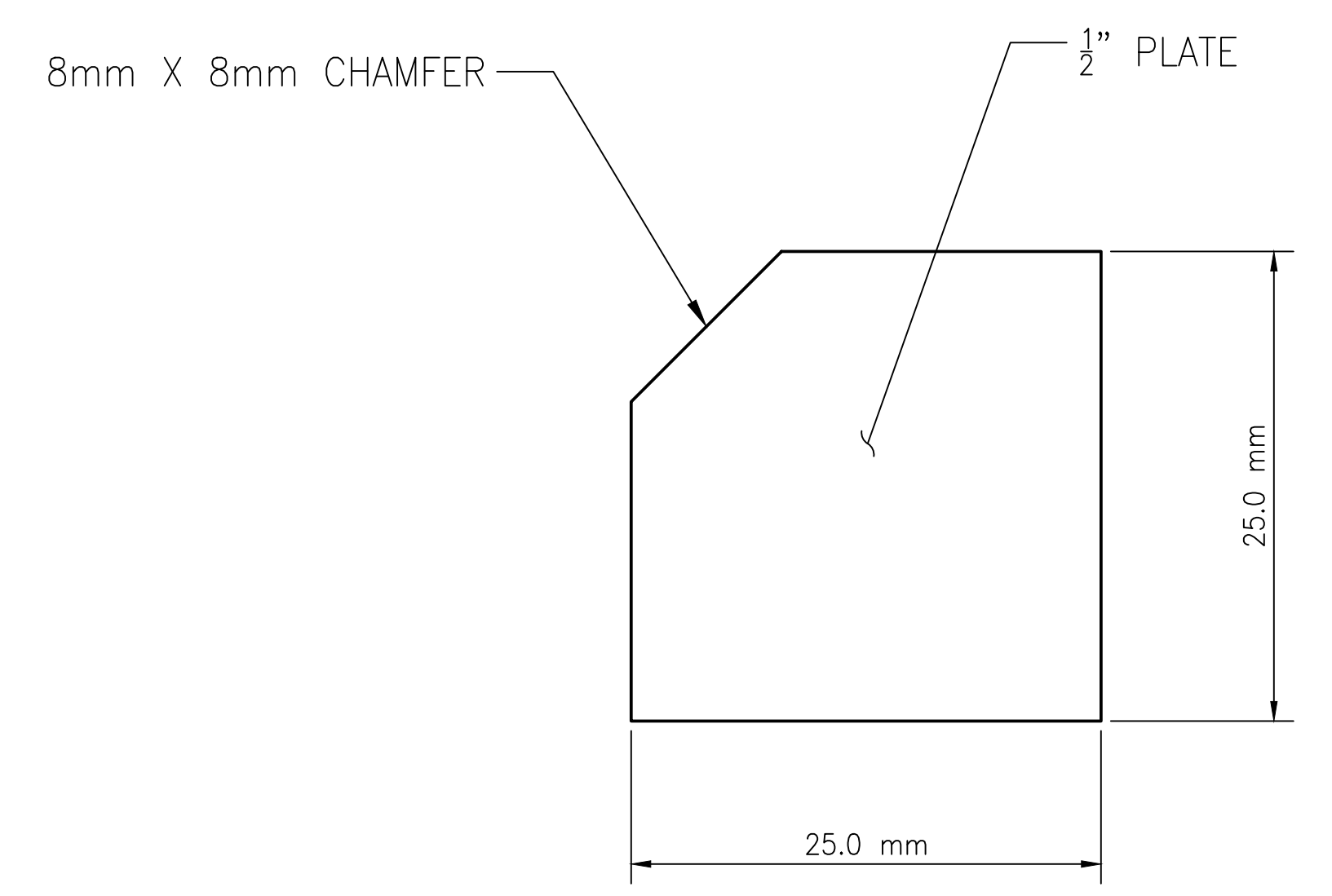
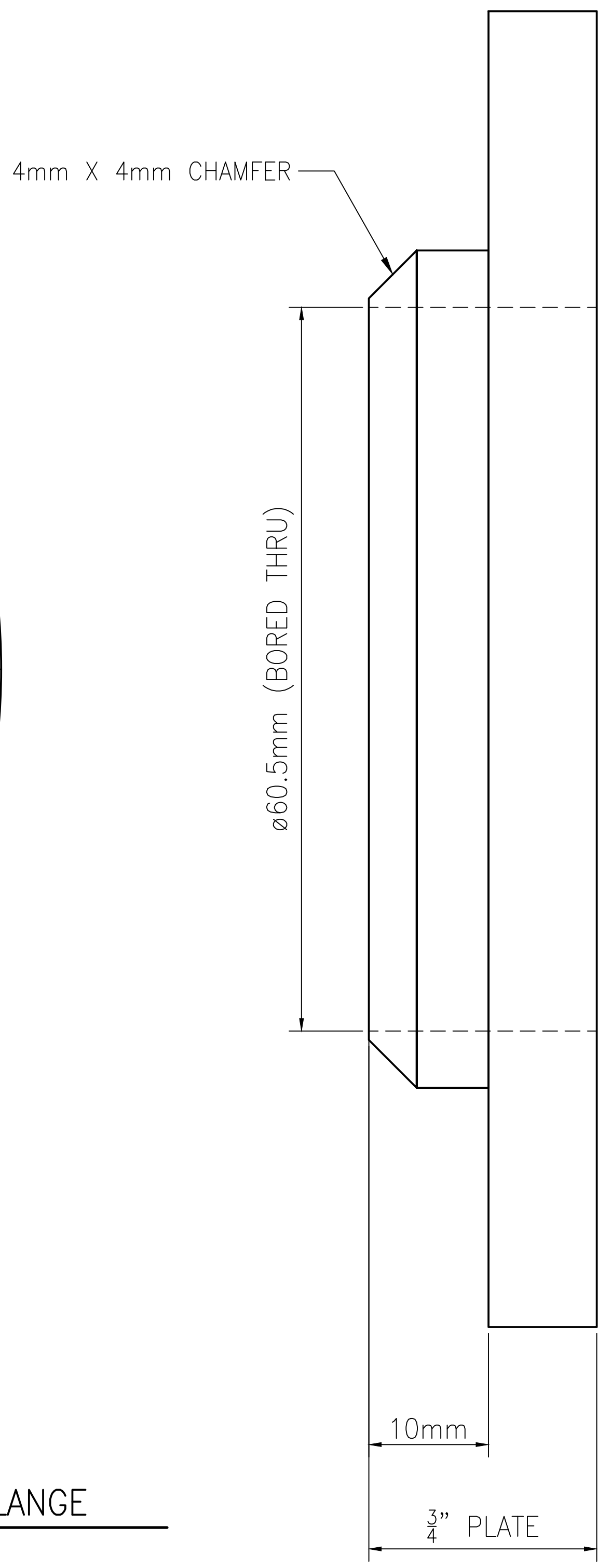
TTC TRIPLE START SOCKET ATTACHMENTS
 GROUTING ATTACHMENT
 -
 Grouting Attachment Base
 Part Number 2025-1506-MK02-00
 -

CATALOG NO	2025-1506-MK02
DRAWING NO	2025-1506
SCALE	-
SHEET NO	05

FILE NAME: 2025-1506-02 TTC TRIPLE START SOCKET ATTACHMENTS.DWG; PRINT DATE: 10/13/2025



1 MK02.02 FLANGE

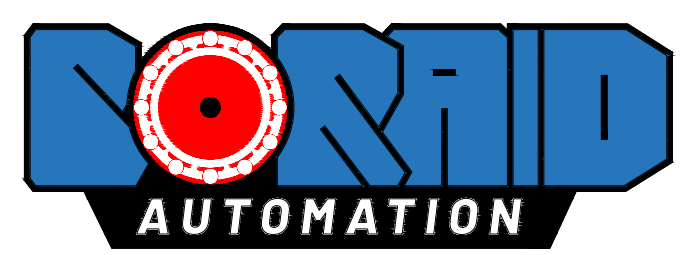


2 MK02.03 HAMMER TAB

- NOTES:**
- SUITABILITY FOR APPLICATION TO BE DETERMINED BY THE END USER.
 - MATERIAL IS 1018 STEEL.
 - REMOVE ALL SHARP EDGES.

REV	DATE	BY	APP	DESCRIPTION
A	2025.10.02	JSJ	-	INCREASED FLANGE THICKNESS, ADDED SEALING TAPER

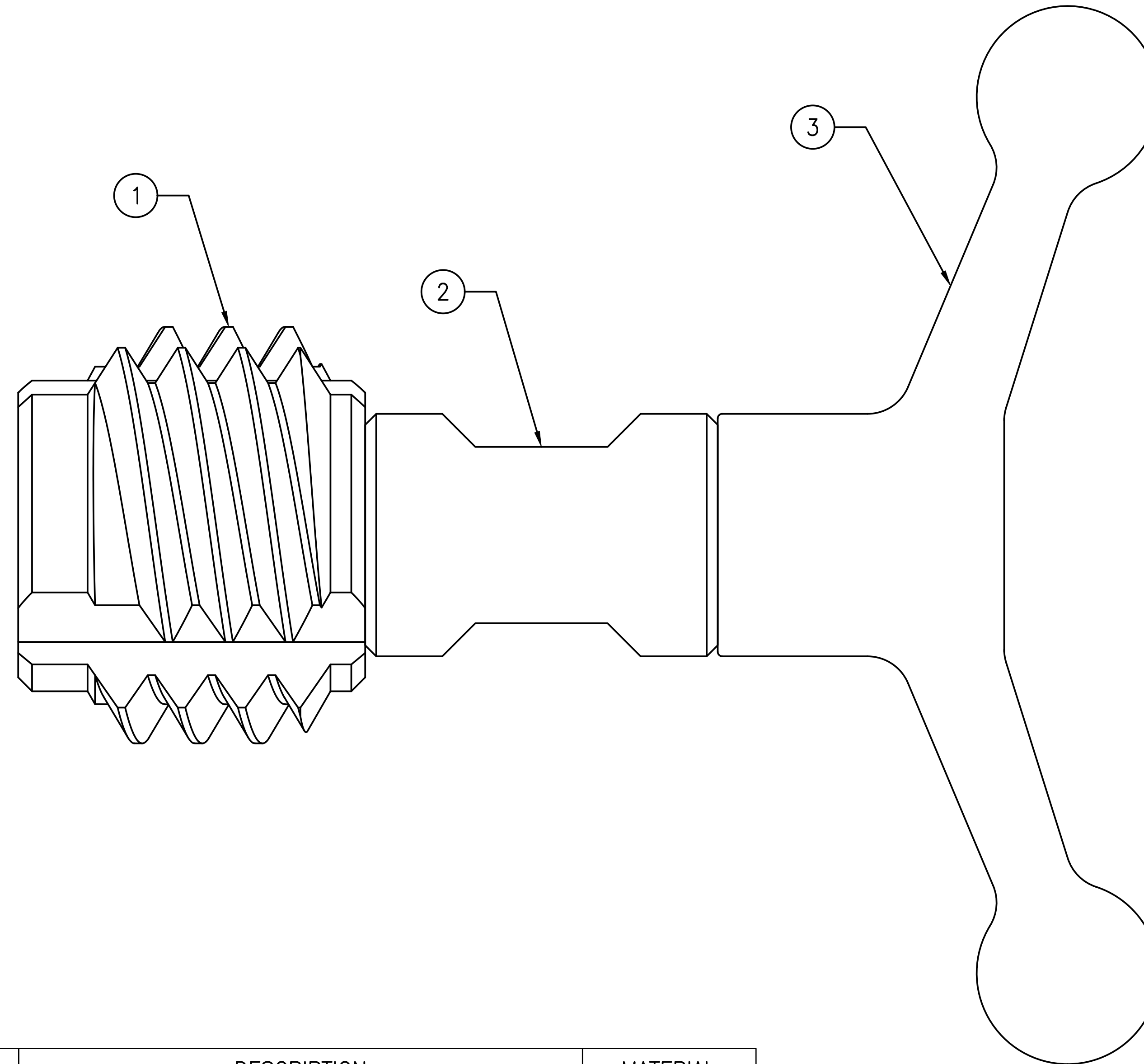
DESIGNED BY	D.VONPLATEN
DRAWN BY	J.JONASEN
CHECKED BY	D.VONPLATEN
IN CHARGE	-
DATE	2025.09.30



3050 E. AIRPORT WAY
LONG BEACH, CA 90806
562.264.2500

TTC TRIPLE START SOCKET ATTACHMENTS
GROUTING ATTACHMENT
Flange (PN 2025-1506-MK02.02-01)
Hammer Tab (PN 2025-1506-MK02.03-00)

CATALOG NO	2025-1506-MK02
DRAWING NO	2025-1506
SCALE	-
SHEET NO	06



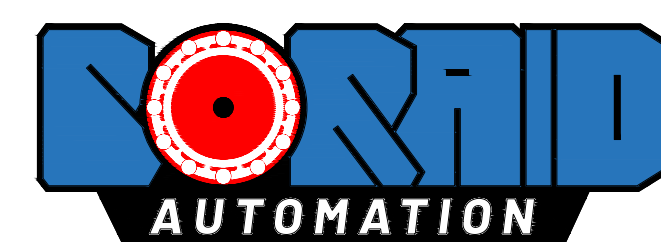
POS	QTY	SUPPLIER	PART NUMBER	DESCRIPTION	MATERIAL
1	1	BORAID AUTOMATION	2025-1506-MK03.01-01	TTC TRIPLE START THREAD CHASER BASE	1018
2	1	BORAID AUTOMATION	2025-1506-MK03.02-00	THREAD CHASER EXTENSION	1018
3	1	MCMaster CARR	6422K46	THREADED THROUGH-HOLE HANDLE	-

NOTES: 1. FOR USE WITH TTC M60x130 PLASTIC GROUT SOCKET.

FILE NAME: 2025-1506-02 TTC TRIPLE START SOCKET ATTACHMENTS.DWG; PRINT DATE: 10/13/2025

REV	DATE	BY	APP	DESCRIPTION

DESIGNED BY	D.VONPLATEN
DRAWN BY	J.JONASEN
CHECKED BY	D.VONPLATEN
IN CHARGE	-
DATE	2025.10.01

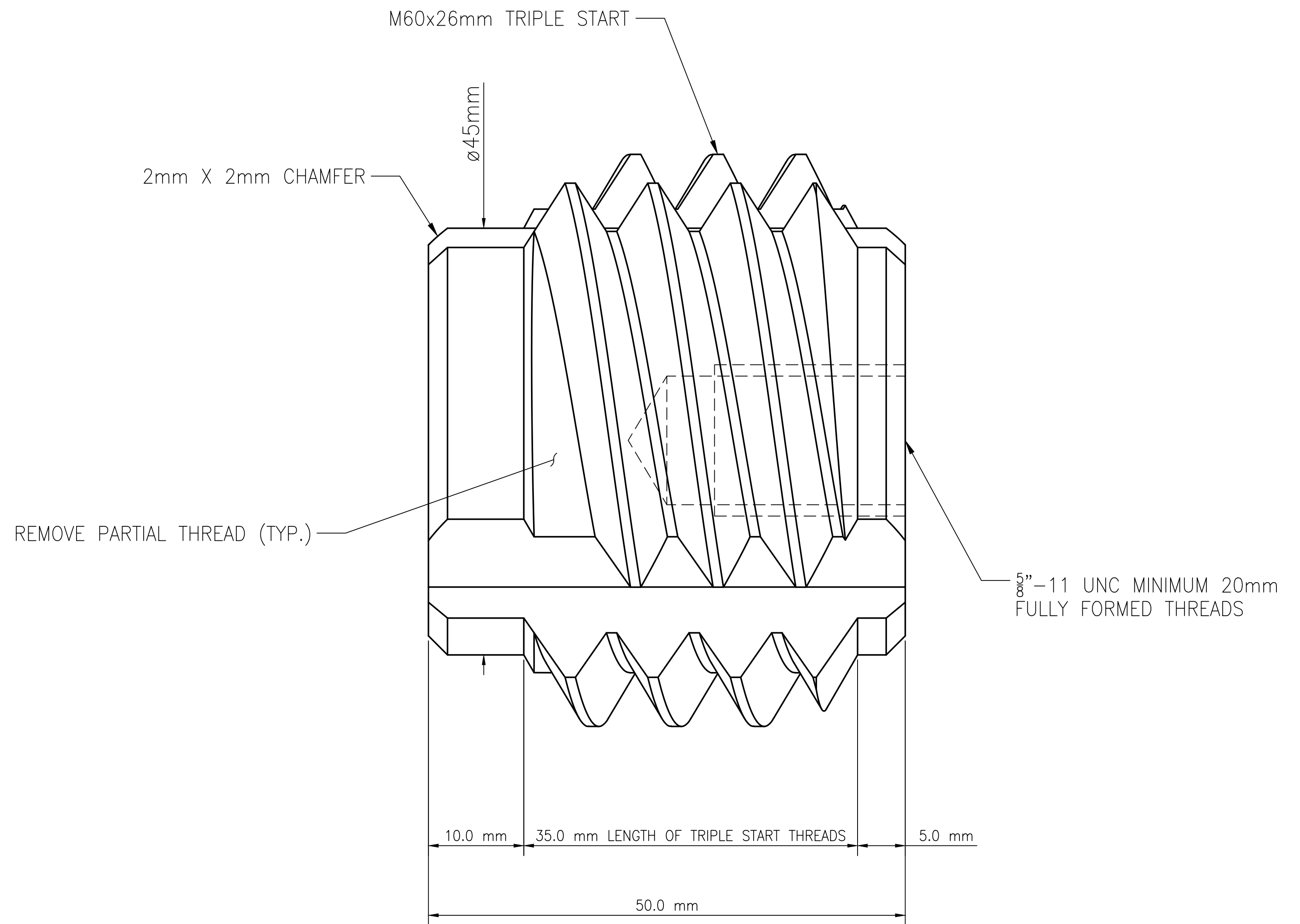
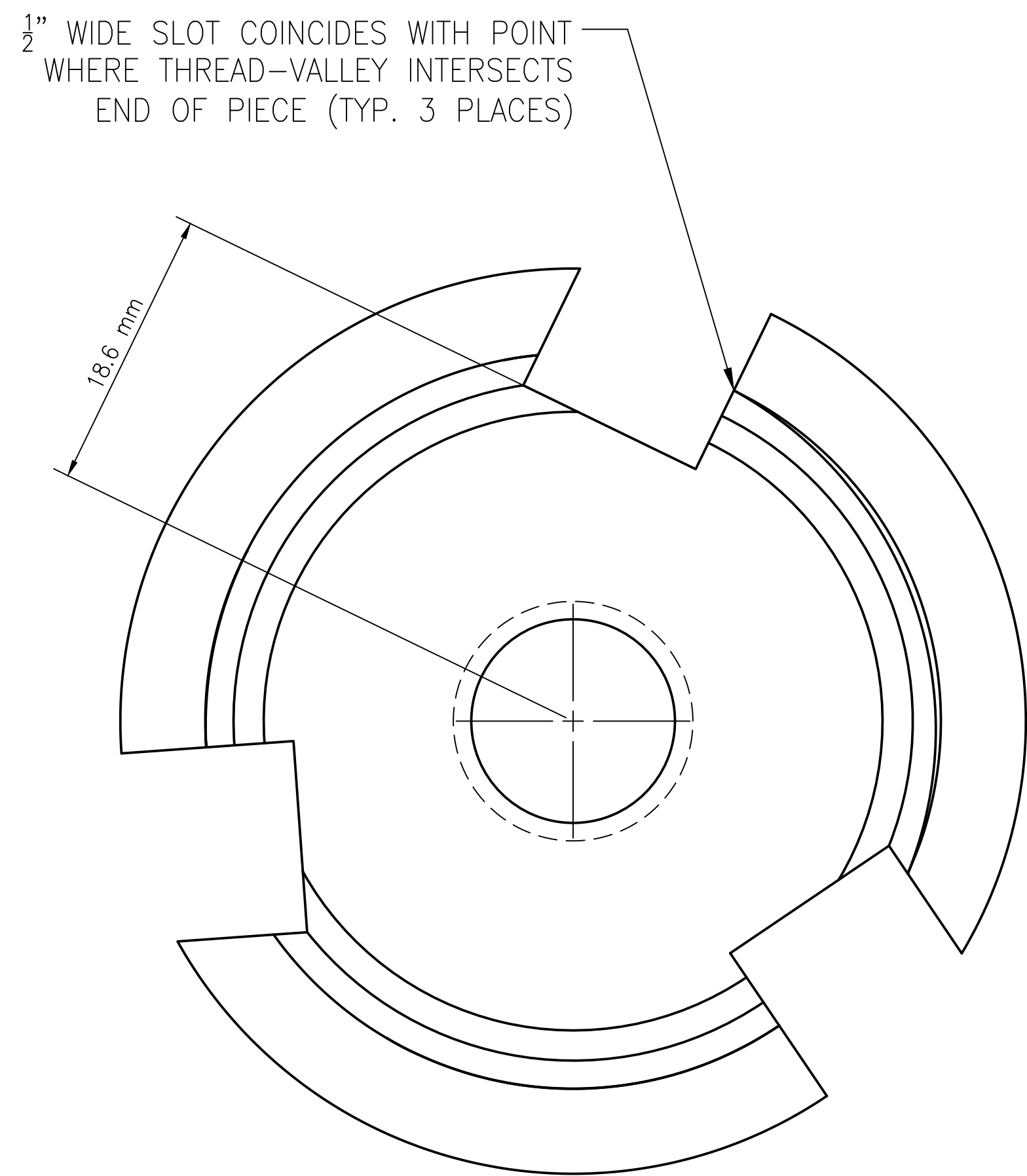


3050 E. AIRPORT WAY
LONG BEACH, CA 90806
562.264.2500

TTC TRIPLE START SOCKET ATTACHMENTS
THREAD CHASER
-
Assembly
Part Number 2025-1506-MK03-00
-

CATALOG NO	2025-1506-MK03
DRAWING NO	2025-1506
SCALE	-
SHEET NO	07

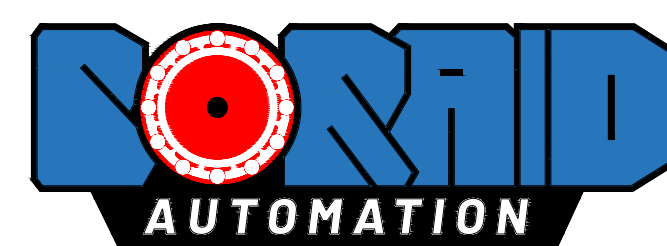
FILE NAME: 2025-1506-02 TTC TRIPLE START SOCKET ATTACHMENTS.DWG; PRINT DATE: 10/13/2025



- NOTES:**
1. MATERIAL IS 1018 STEEL.
 2. REMOVE ALL SHARP EDGES.

REV	DATE	BY	APP	DESCRIPTION
01	2025.10.13	JSJ	-	CHANGED TO CLOSED BOTTOM THREADED HOLE

DESIGNED BY	D.VONPLATEN
DRAWN BY	J.JONASEN
CHECKED BY	D.VONPLATEN
IN CHARGE	-
DATE	2025.10.01

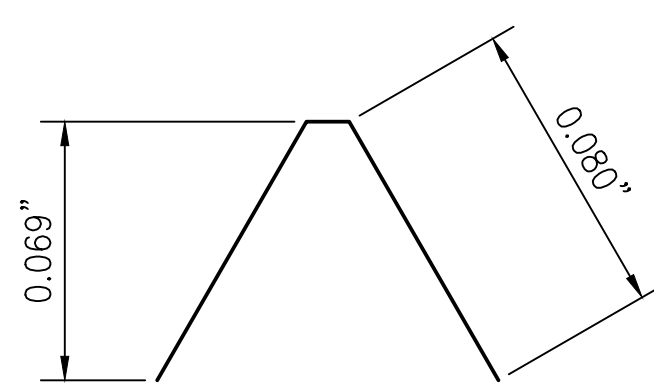
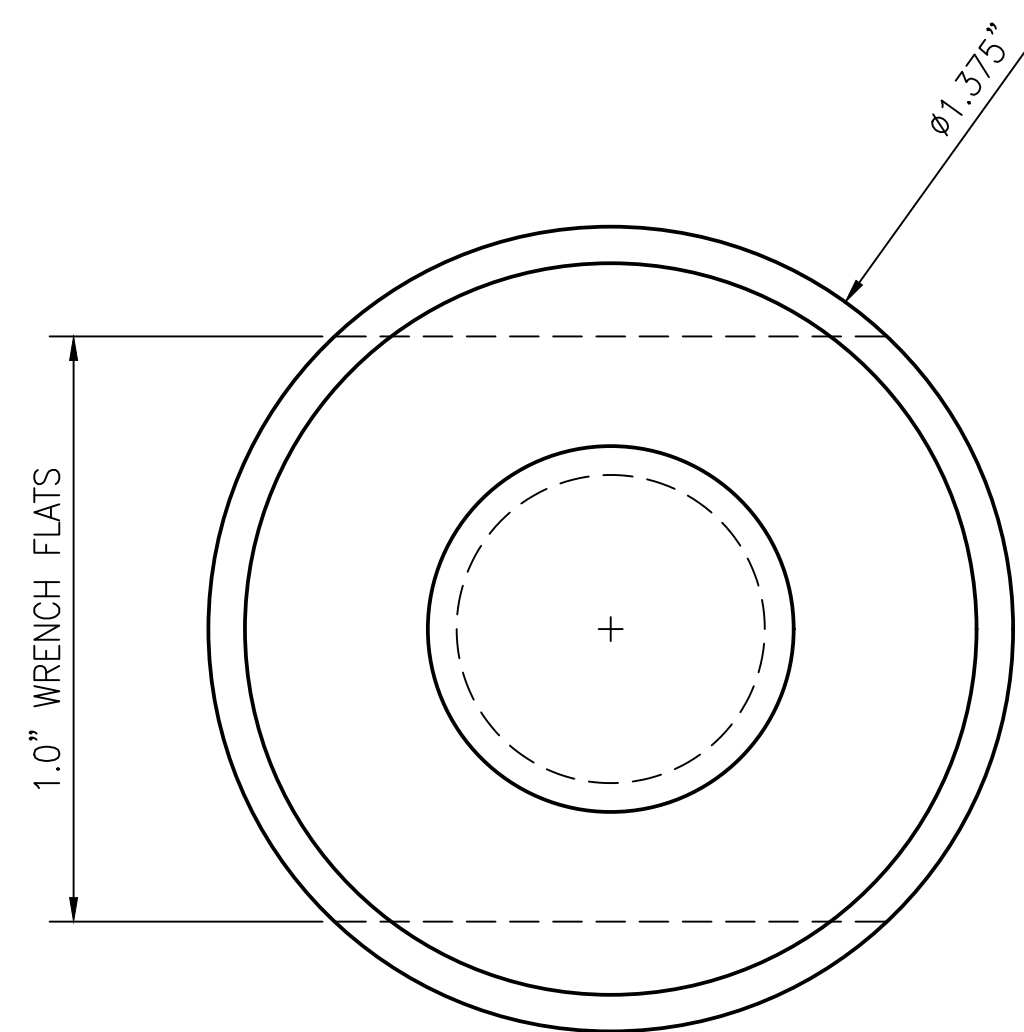


3050 E. AIRPORT WAY
LONG BEACH, CA 90806
562.264.2500

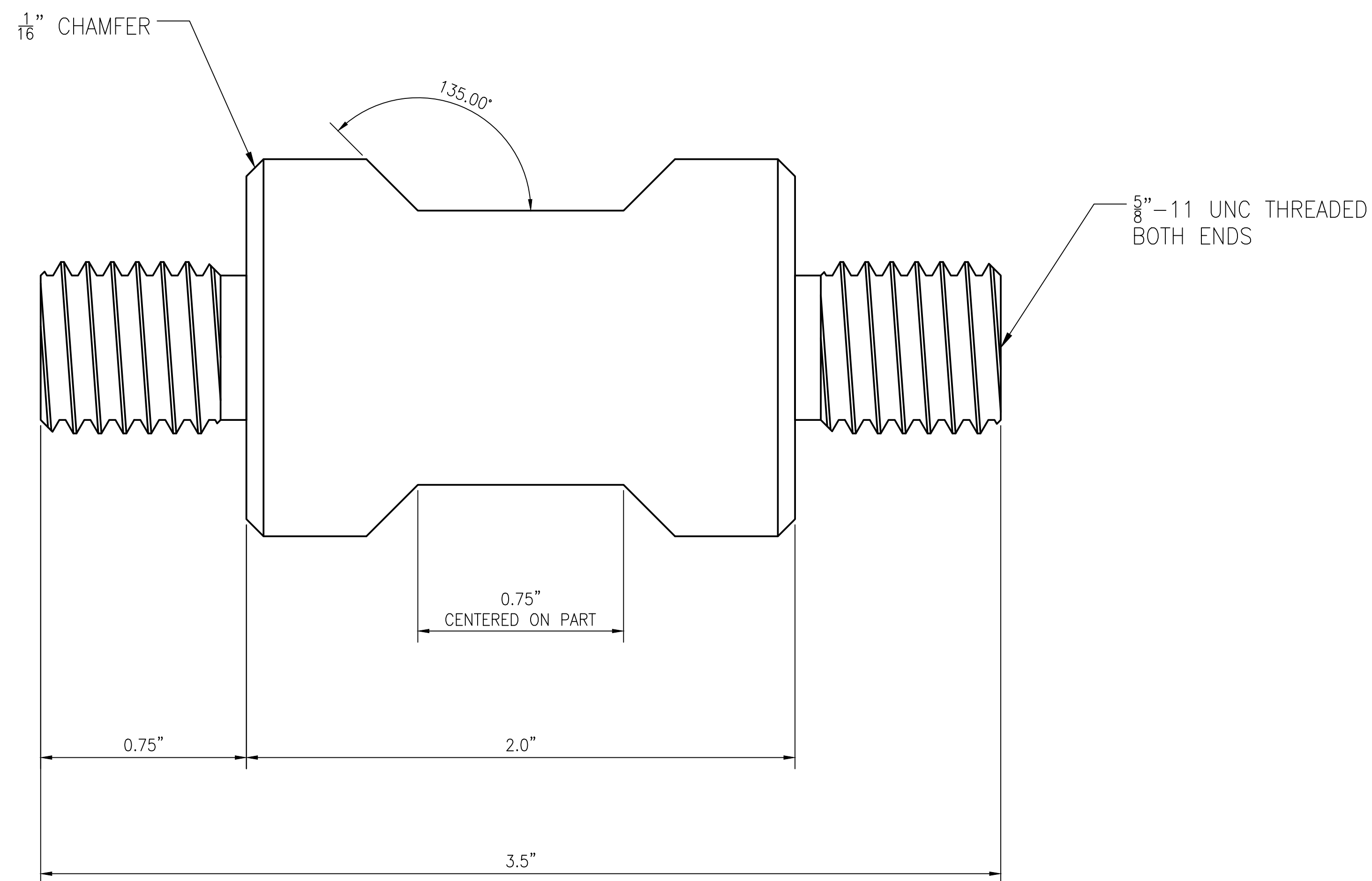
TTC TRIPLE START SOCKET ATTACHMENTS
THREAD CHASER
Thread Chaser Base
Part Number 2025-1506-MK03.01-01

CATALOG NO	2025-1506-MK03
DRAWING NO	2025-1506
REV	01
SCALE	-
SHEET NO	08

FILE NAME: 2025-1506-02 TTC TRIPLE START SOCKET ATTACHMENTS.DWG; PRINT DATE: 10/13/2025



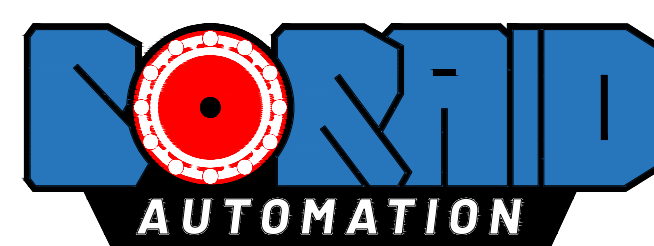
$\frac{5}{8}$ "-11 UNC THREAD
GUTTER DIAMETER = 0.487"



NOTES: 1. MATERIAL IS 1018 STEEL.
2. REMOVE ALL SHARP EDGES.

REV	DATE	BY	APP	DESCRIPTION

DESIGNED BY	D.VONPLATEN
DRAWN BY	J.JONASEN
CHECKED BY	D.VONPLATEN
IN CHARGE	-
DATE	2025.10.01



3050 E. AIRPORT WAY
LONG BEACH, CA 90806
562.264.2500

TTC TRIPLE START SOCKET ATTACHMENTS
THREAD CHASER
-
Thread Chaser Extension
Part Number 2025-1506-MK03.02-00
-

CATALOG NO	2025-1506-MK03
DRAWING NO	2025-1506
SCALE	-
SHEET NO	09