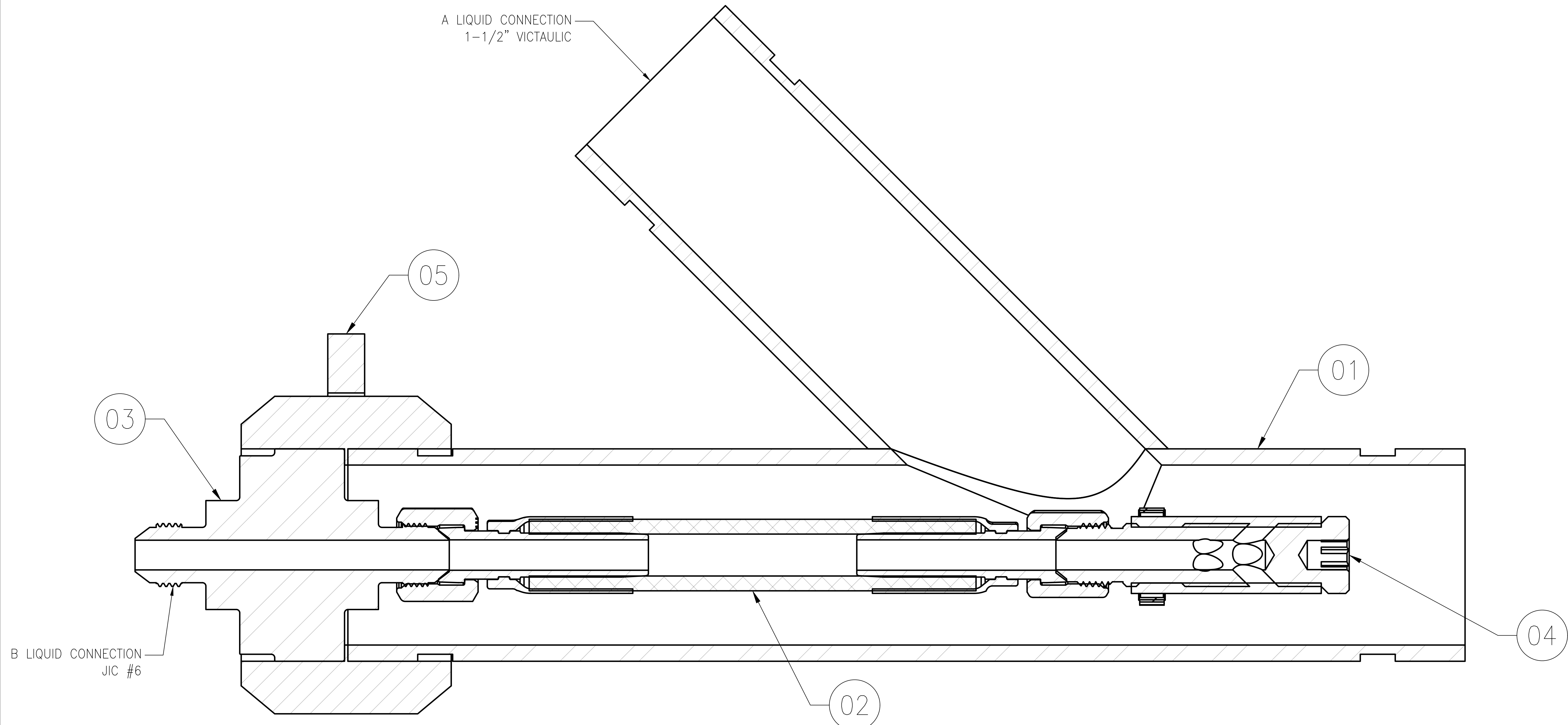


FILE NAME: 2025-1262-00 PROOF GROUTING PACKER.DWG; PRINT DATE: 10/31/2025

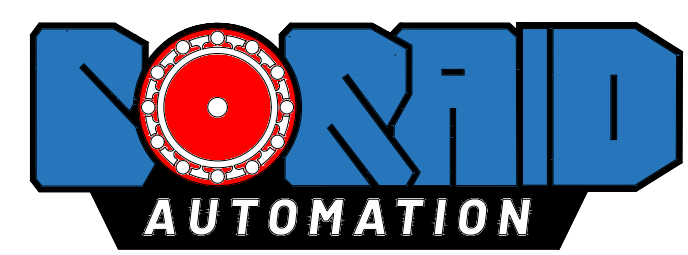


NOTES: 1. MAXIMUM OPERATING PRESSURE: 10 BAR AT 70° F
 2. FOR USE WITH TWO COMPONENT GROUT MIXTURES OR BORAID-RUSTY'S LOVE MUDD.

POS	QTY	SUPPLIER	PART NUMBER	DESCRIPTION	MATERIAL
01	1 EA	BORAID AUTOMATION	2025-1262-MK01-00	BAZOOKA PIPE	304 SS
02	1 EA	BORAID AUTOMATION	2025-1252-MK02-00	B-LIQUID HOSE ASSEMBLY	-
03	1 EA	BORAID AUTOMATION	2024-1251-MK03-03	ACCELERATOR THRU CAP	416 SS
04	1 EA	BORAID AUTOMATION	2024-1500-MK03-00	ACCELERATOR NOZZLE ASSEMBLY	-
05	1 EA	VICTAULIC	STYLE 78 - 1 1/2" CPLG	FLEXIBLE SNAP JOINT LEVER COUPLING	NYLON 12

REV	DATE	BY	APP	DESCRIPTION

DESIGNED BY	N. DUNCAN
DRAWN BY	N. DUNCAN
CHECKED BY	J. JONASEN
IN CHARGE	J. JONASEN
DATE	2025-10-28



3050 E. AIRPORT WAY
 LONG BEACH, CA 90806
 562.264.2500

LOVE MUDD INJECTION PACKER
 1-1/2" VICTAULIC OUTLET
 DATA SHEET

CATALOG NO	2025-1262-00
DRAWING NO	2025-1262
REV	00
SCALE	N.T.S.
SHEET NO	S