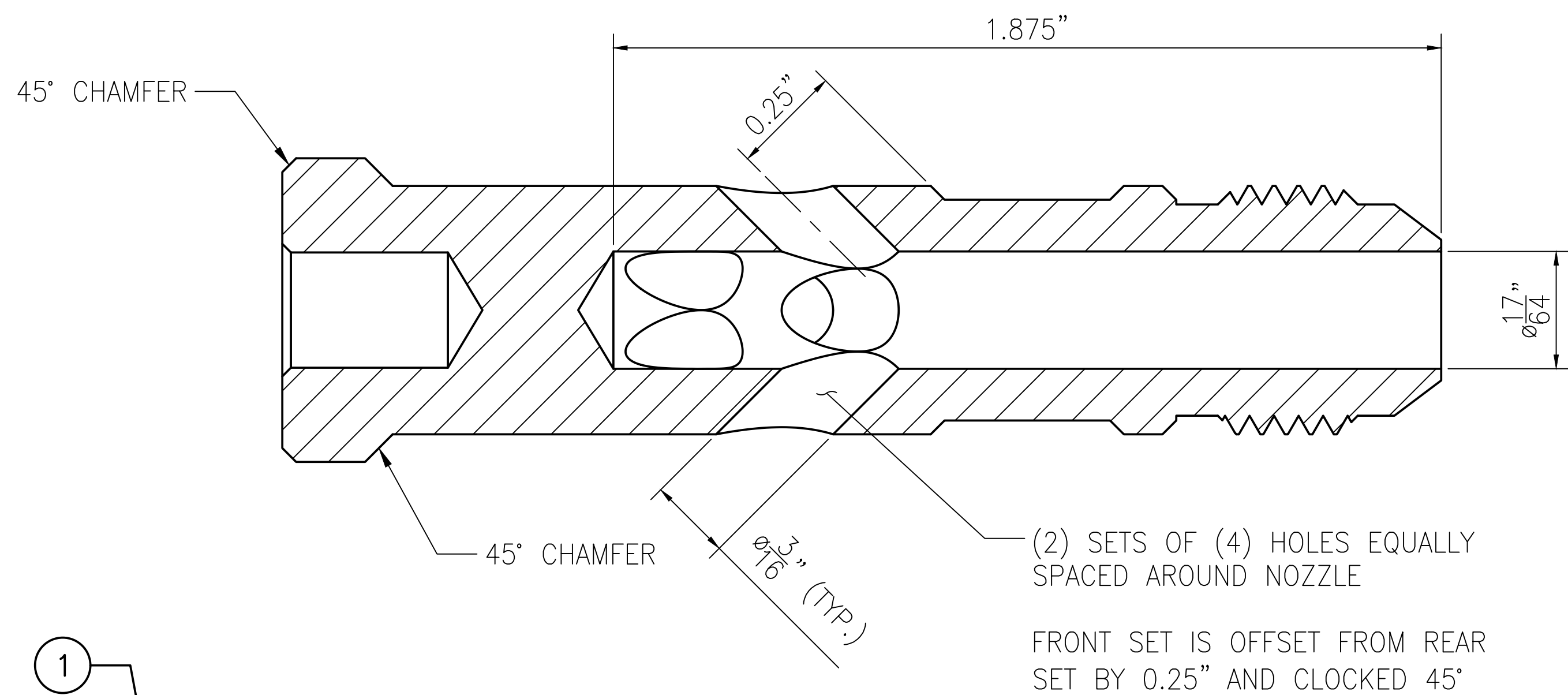
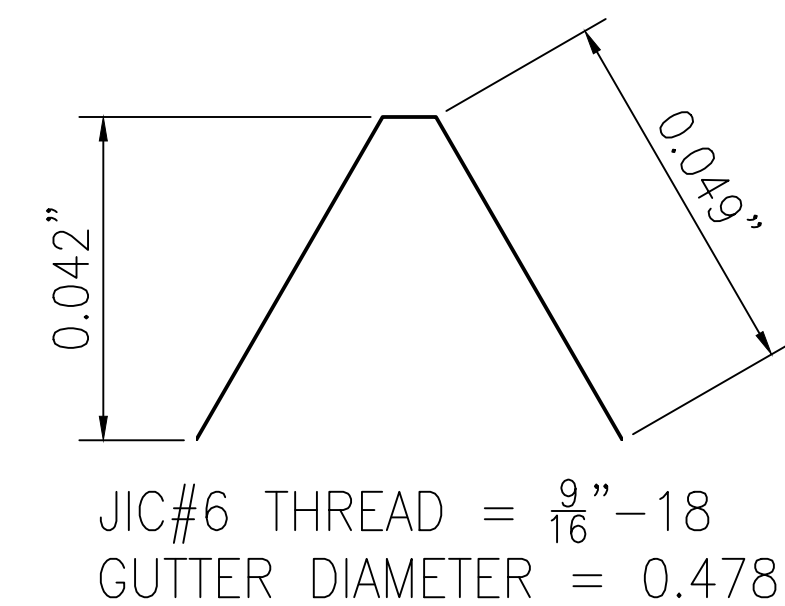
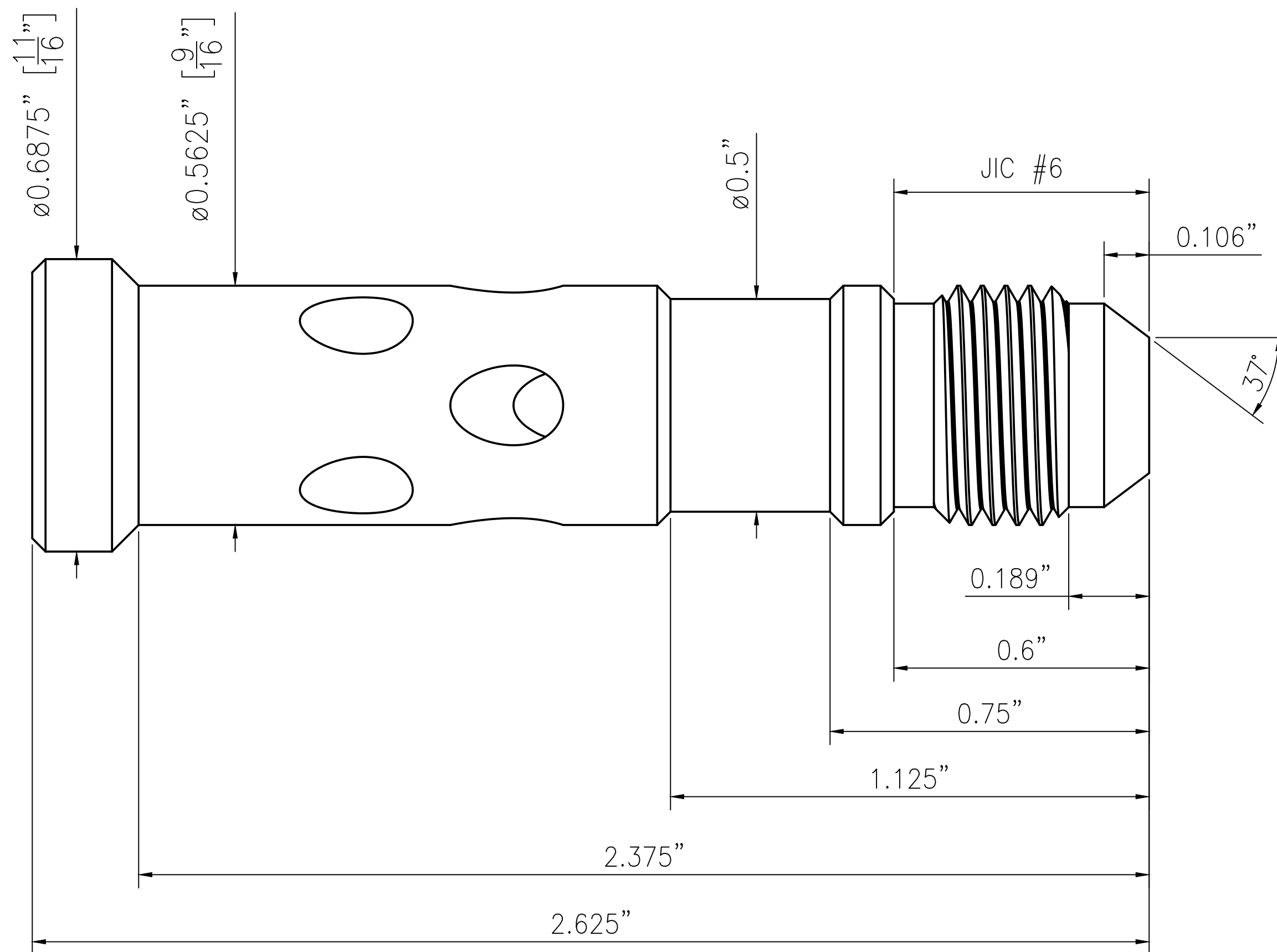
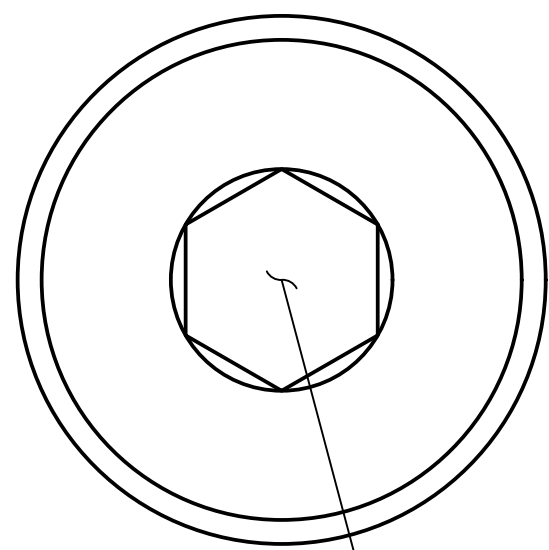
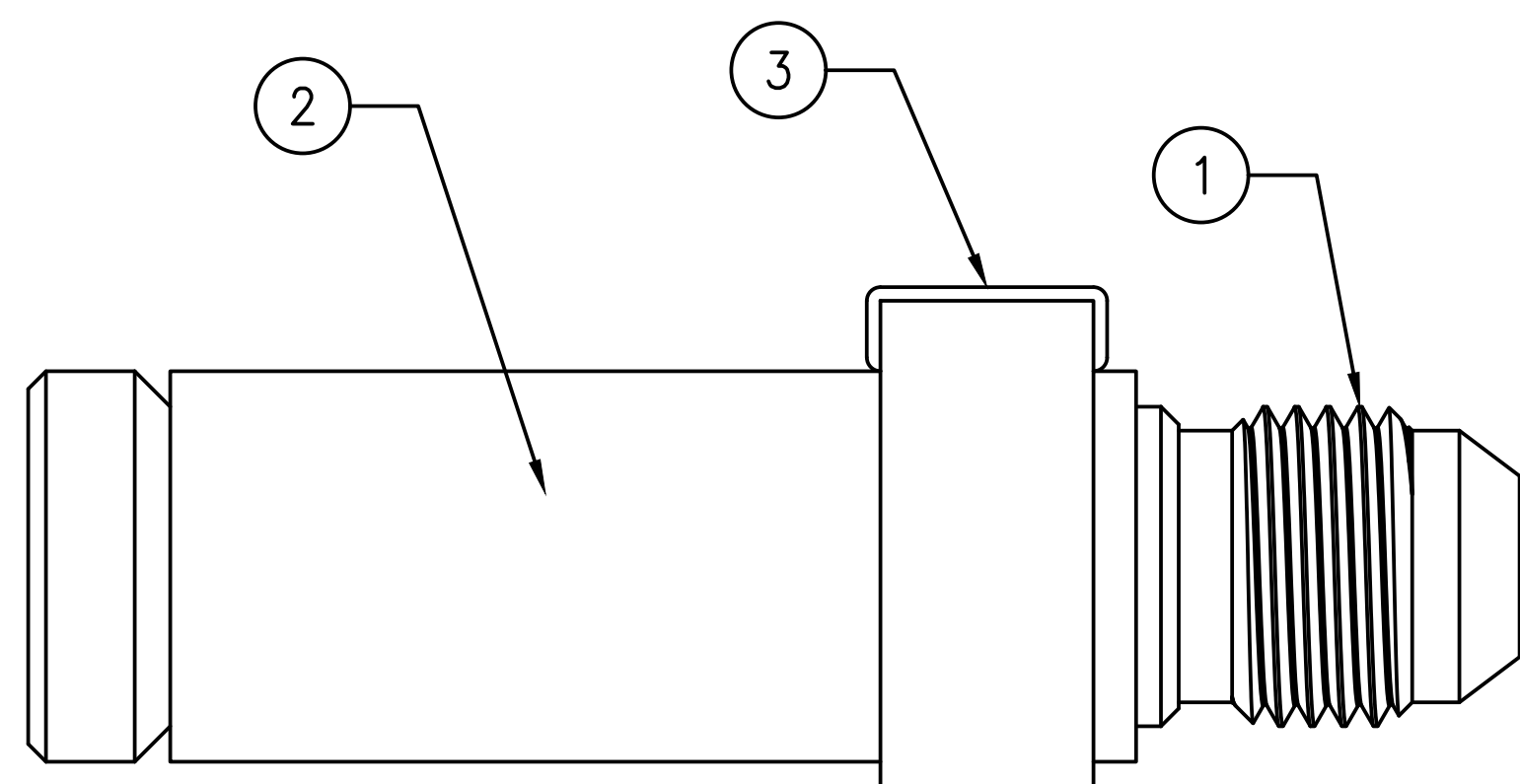


FILE NAME: 2024-1500-01 GROUT MIXING NOZZLES.DWG; PRINT DATE: 10/13/2025

1/4" INTERNAL HEX, 0.25" DEEP  
 PILOT HOLE DRILL SIZE G (ø0.261")x0.375" DEEP  
 CIRCUMSCRIBED CIRCLE ø0.289"



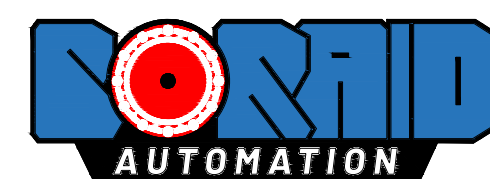
- NOTES:**
- FOR USE WITH TBM GROUT MIXING PIPES OR PROOF GROUT PACKERS
  - BASE MATERIAL IS 1/8" 416 STAINLESS STEEL ROD



| POS | QTY | SUPPLIER          | PART NUMBER       | DESCRIPTION                              | MATERIAL      |
|-----|-----|-------------------|-------------------|--|---------------|
| 1   | 1   | BORAID AUTOMATION | 2024-1500-MK03-00 | MIXING PIPE NOZZLE WITH HEX SOCKET HEAD  | 416 STAINLESS |
| 2   | 1   | McMASTER CARR     | 5236K523          | 1/2"ID x 11/16"OD SILICONE RUBBER TUBING | -             |
| 3   | 1   | McMASTER CARR     | 5423K21           | EXTRA-STRENGTH LOW-PROFILE BAND CLAMP    | GALVANIZED    |

| REV | DATE | BY | APP | DESCRIPTION |
|-----|------|----|-----|-------------|
|     |      |    |     |             |
|     |      |    |     |             |
|     |      |    |     |             |
|     |      |    |     |             |

|             |            |
|-------------|------------|
| DESIGNED BY | N.DUNCAN   |
| DRAWN BY    | N.DUNCAN   |
| CHECKED BY  | -          |
| IN CHARGE   | -          |
| DATE        | 10.03.2025 |



3050 E. AIRPORT WAY  
 LONG BEACH, CA 90806  
 562.264.2500

GROUT MIXING NOZZLES  
 TBM GROUT MIXING PIPE NOZZLE  
 -  
 The Nizzle  
 Part Number 2024-1500-MK03-00  
 -

|            |                |
|------------|----------------|
| CATALOG NO | 2024-1500-MK03 |
| DRAWING NO | 2024-1500      |
| SCALE      | -              |
| SHEET NO   | 04             |