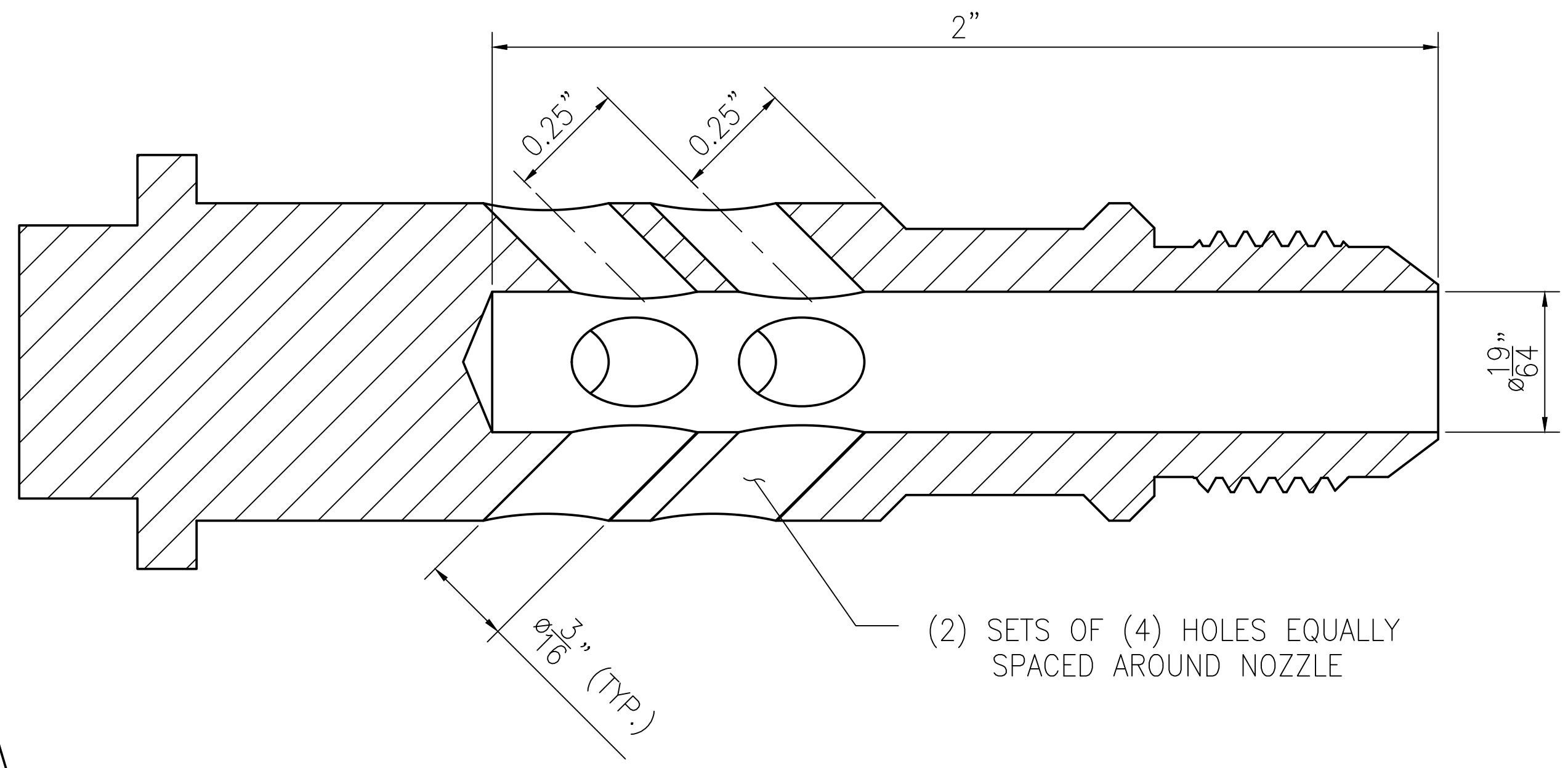
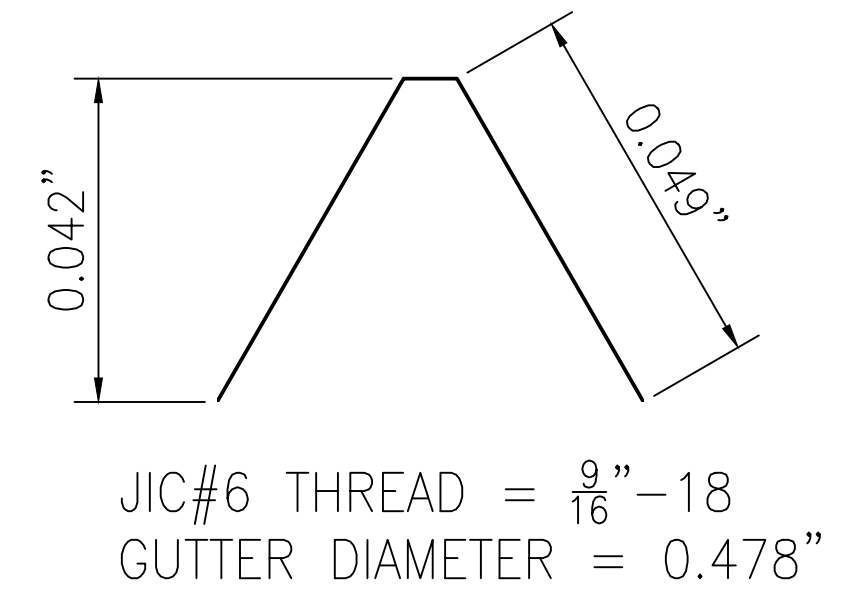
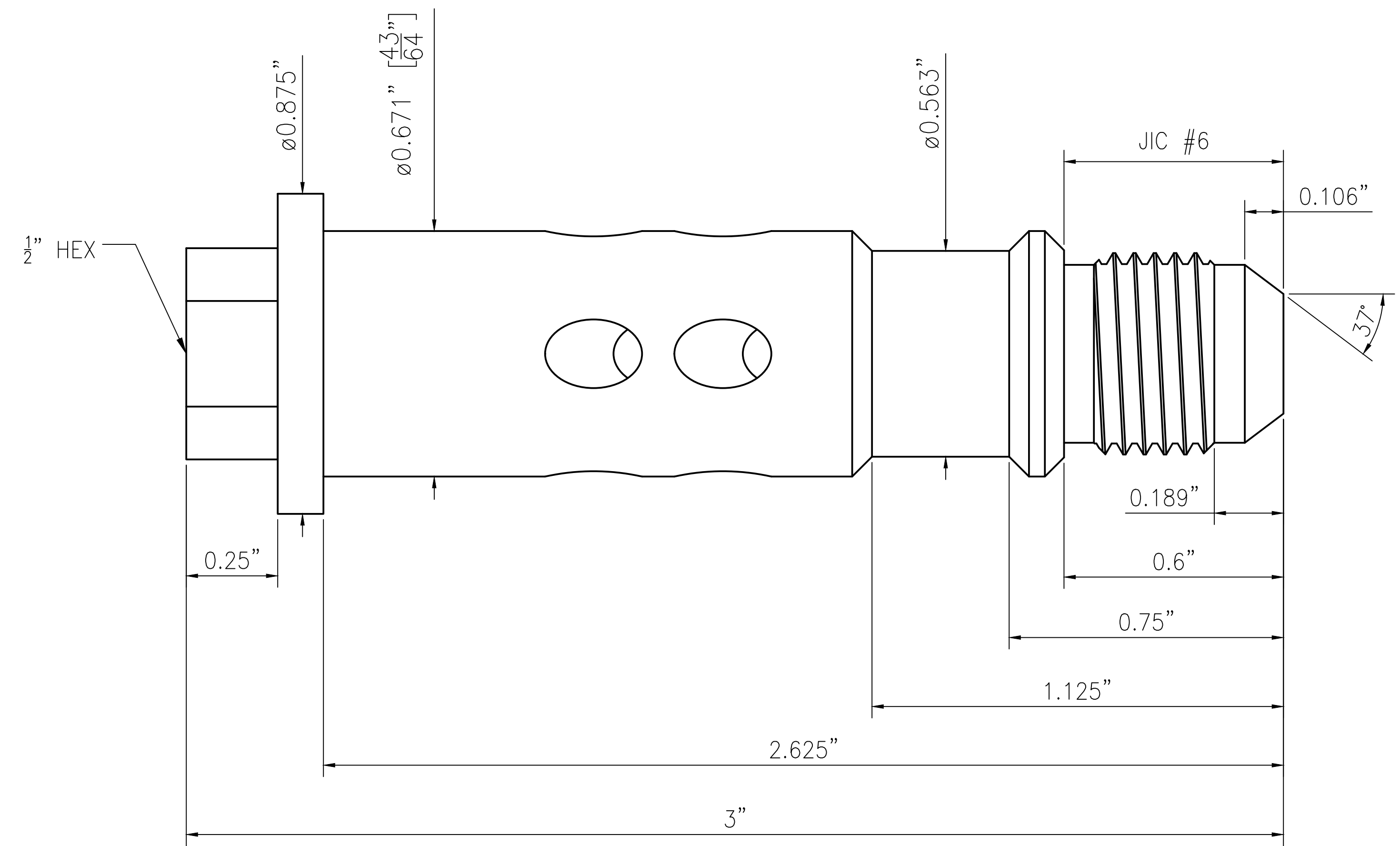
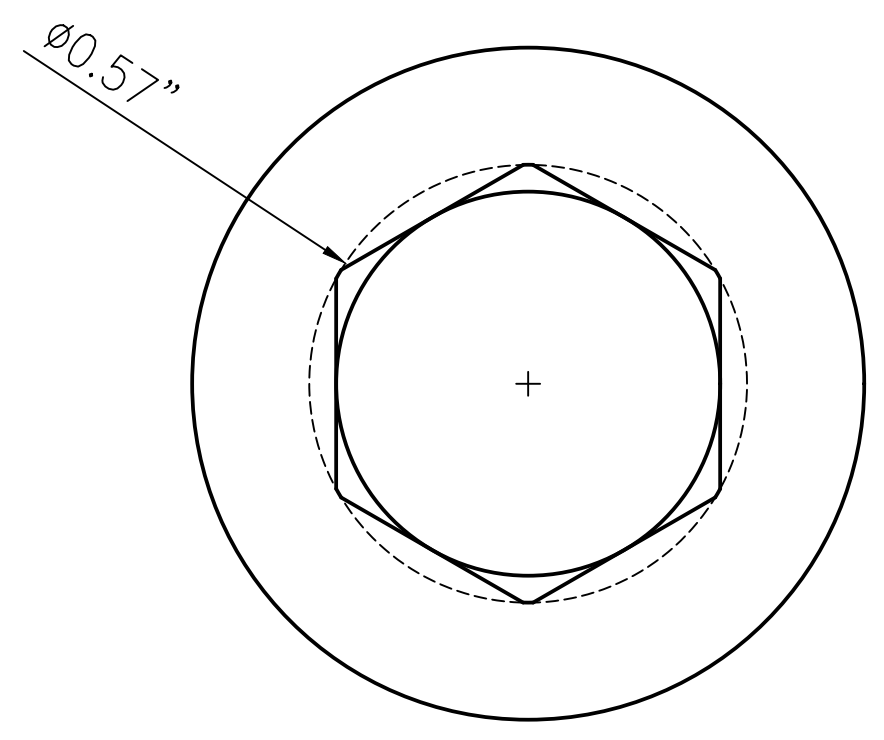
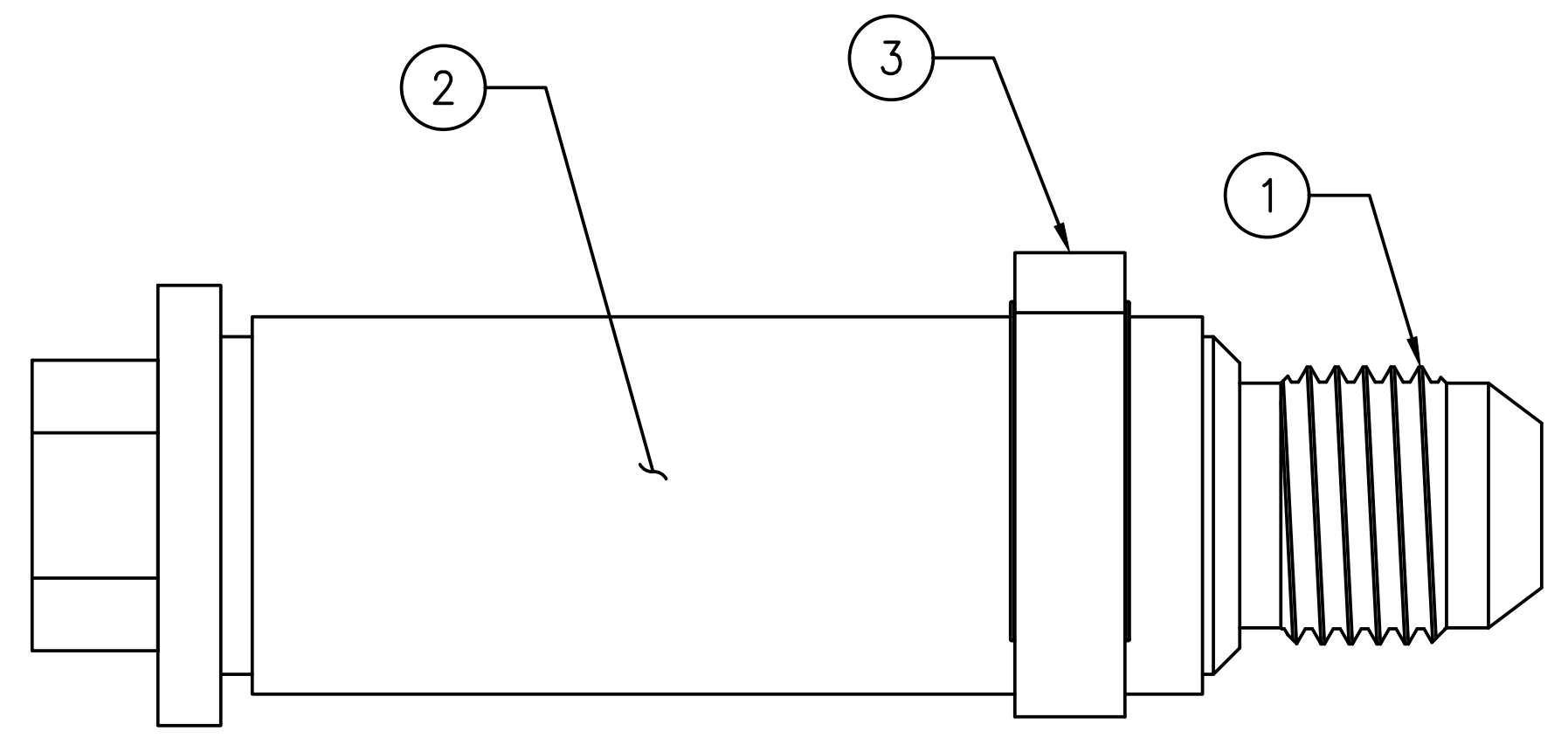


FILE NAME: 2024-1500-01 GROUT MIXING NOZZLES.DWG; PRINT DATE: 10/13/2025



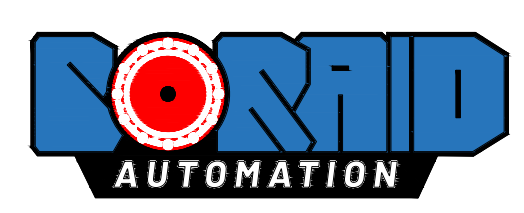
- NOTES:**
- FOR USE WITH TBM GROUT MIXING PIPES OR PROOF GROUT PACKERS
 - BASE MATERIAL IS 1" 416 STAINLESS STEEL ROD



POS	QTY	SUPPLIER	PART NUMBER	DESCRIPTION	MATERIAL
1	1	BORAID AUTOMATION	2024-1500-MK02-00	MIXING PIPE NOZZLE WITH HEX HEAD	416 STAINLESS
2	1	McMASTER CARR	5236K525	5/8"ID x 3/4"OD SILICONE RUBBER TUBING	-
3	1	McMASTER CARR	52545K946	VIBRATION-RESISTANT PINCH CLAMP	304 STAINLESS

REV	DATE	BY	APP	DESCRIPTION

DESIGNED BY J.JONASEN
 DRAWN BY J.JONASEN
 CHECKED BY -
 IN CHARGE -
 DATE 10.02.2025



3050 E. AIRPORT WAY
 LONG BEACH, CA 90806
 562.264.2500

GROUT MIXING NOZZLES
 TBM GROUT MIXING PIPE NOZZLE
 -
 The JoshJector
 Part Number 2024-1500-MK02-00
 -

CATALOG NO	2024-1500-MK02
DRAWING NO	2024-1500
SCALE	-
SHEET NO	03