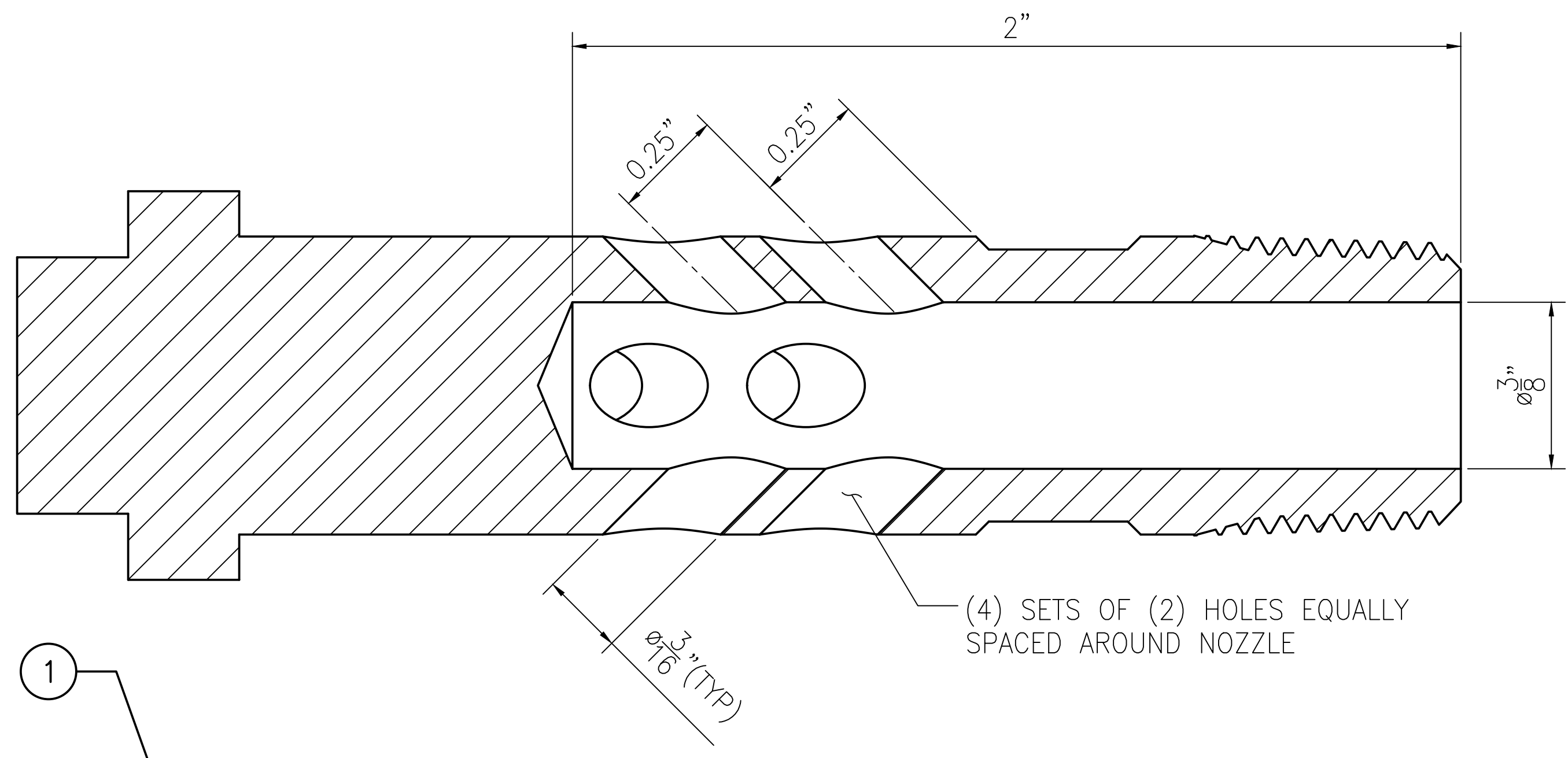
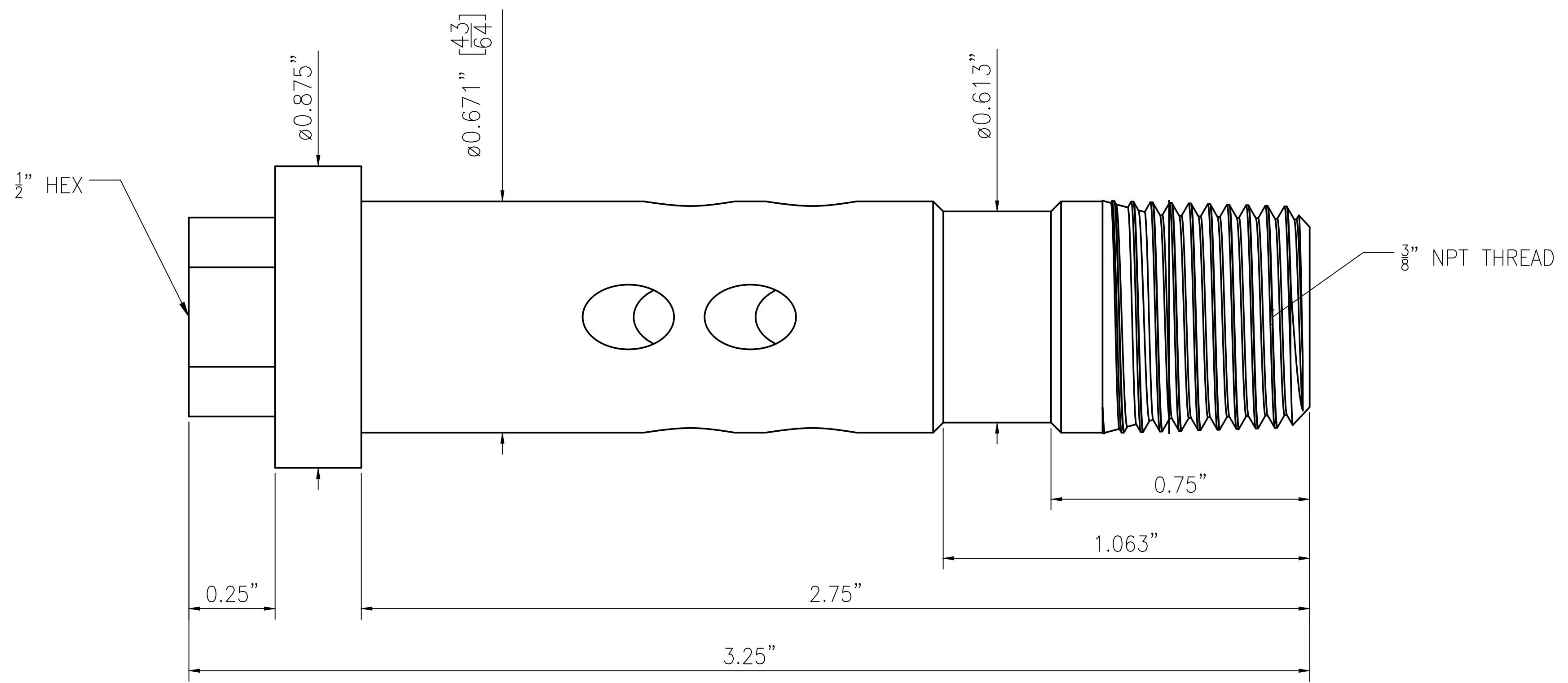
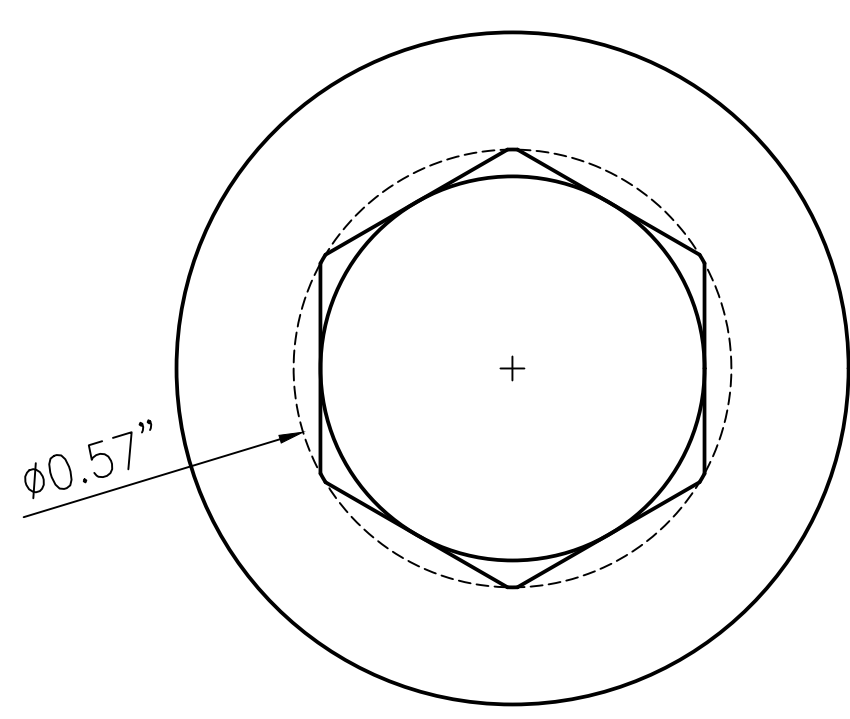
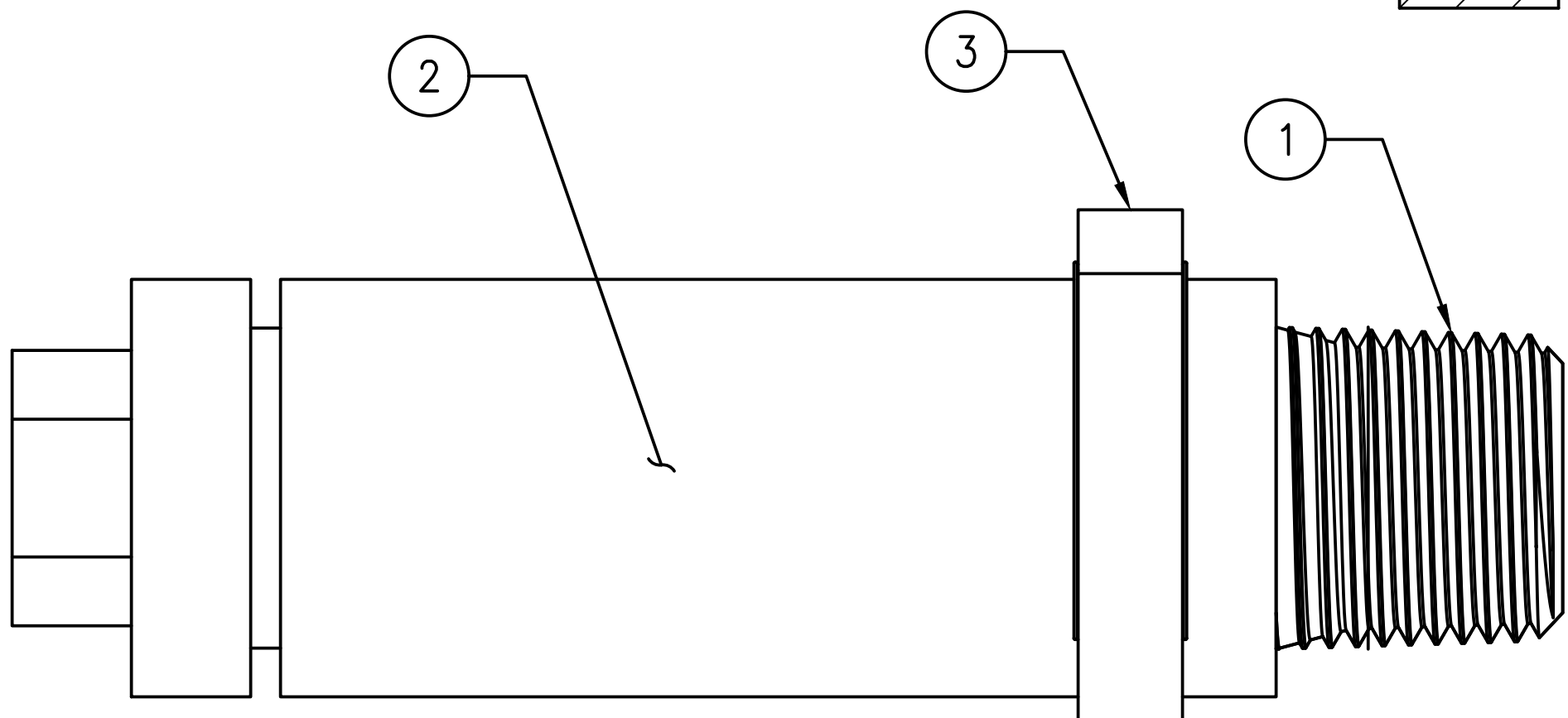


FILE NAME: 2024-1500-01 GROUT MIXING NOZZLES.DWG; PRINT DATE: 10/7/2025



- NOTES:**
- FOR USE WITH TBM GROUT MIXING BOX
 - BASE MATERIAL IS $\frac{3}{8}$ 416 STAINLESS STEEL ROD

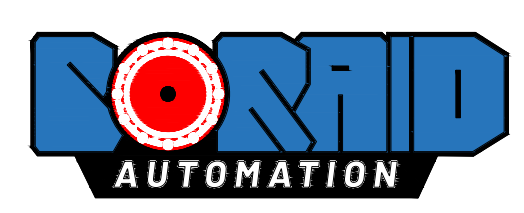
(4) SETS OF (2) HOLES EQUALLY SPACED AROUND NOZZLE



POS	QTY	SUPPLIER	PART NUMBER	DESCRIPTION	MATERIAL
1	1	BORAID AUTOMATION	2024-1500-MK01-01	MIXING BOX NOZZLE WITH HEX HEAD	416 STAINLESS
2	1	McMASTER CARR	5234K57	5/8"ID x 7/8"OD LATEX RUBBER TUBING	-
3	1	McMASTER CARR	52545K948	VIBRATION-RESISTANT PINCH CLAMP	304 STAINLESS

REV	DATE	BY	APP	DESCRIPTION

DESIGNED BY
J.JONASEN
DRAWN BY
J.JONASEN
CHECKED BY
-
IN CHARGE
-
DATE
10.02.2025



3050 E. AIRPORT WAY
LONG BEACH, CA 90806
562.264.2500

GROUT MIXING NOZZLES
TBM GROUT MIXING BOX NOZZLE
-
Part Number 2024-1500-MK01-01
-
-

CATALOG NO
2024-1500-MK01
DRAWING NO
2024-1500
SCALE
-
SHEET NO
02