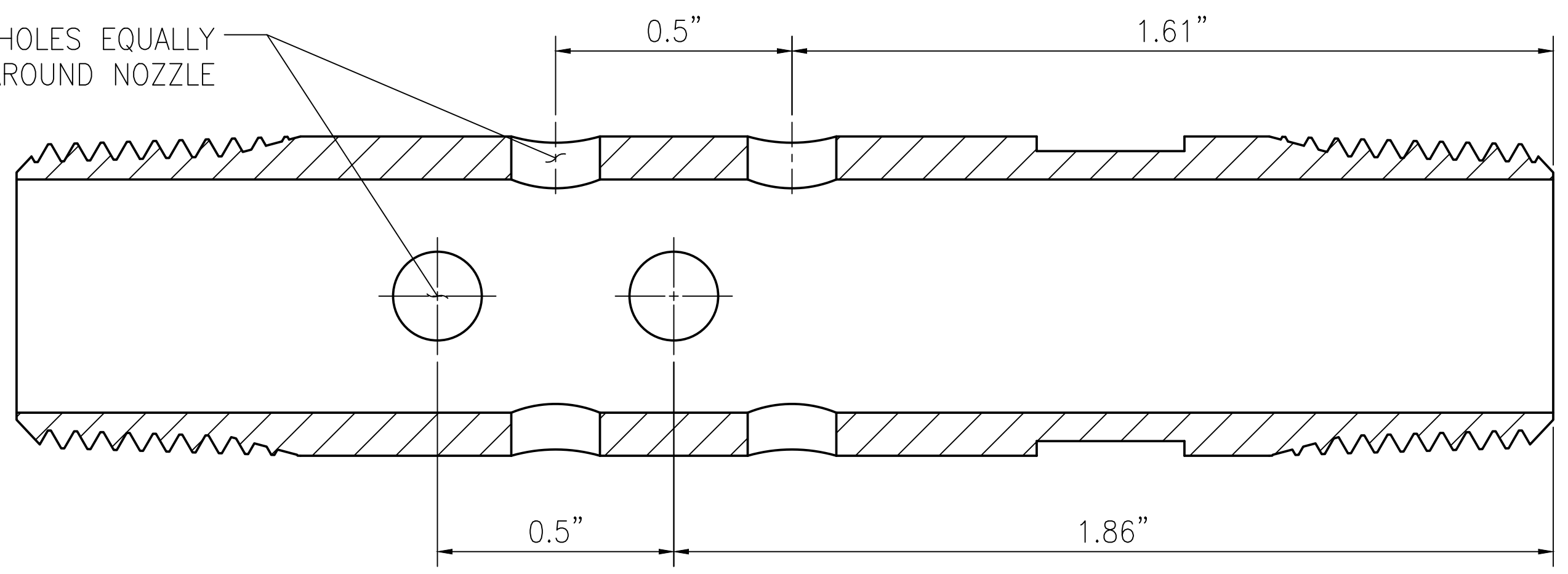
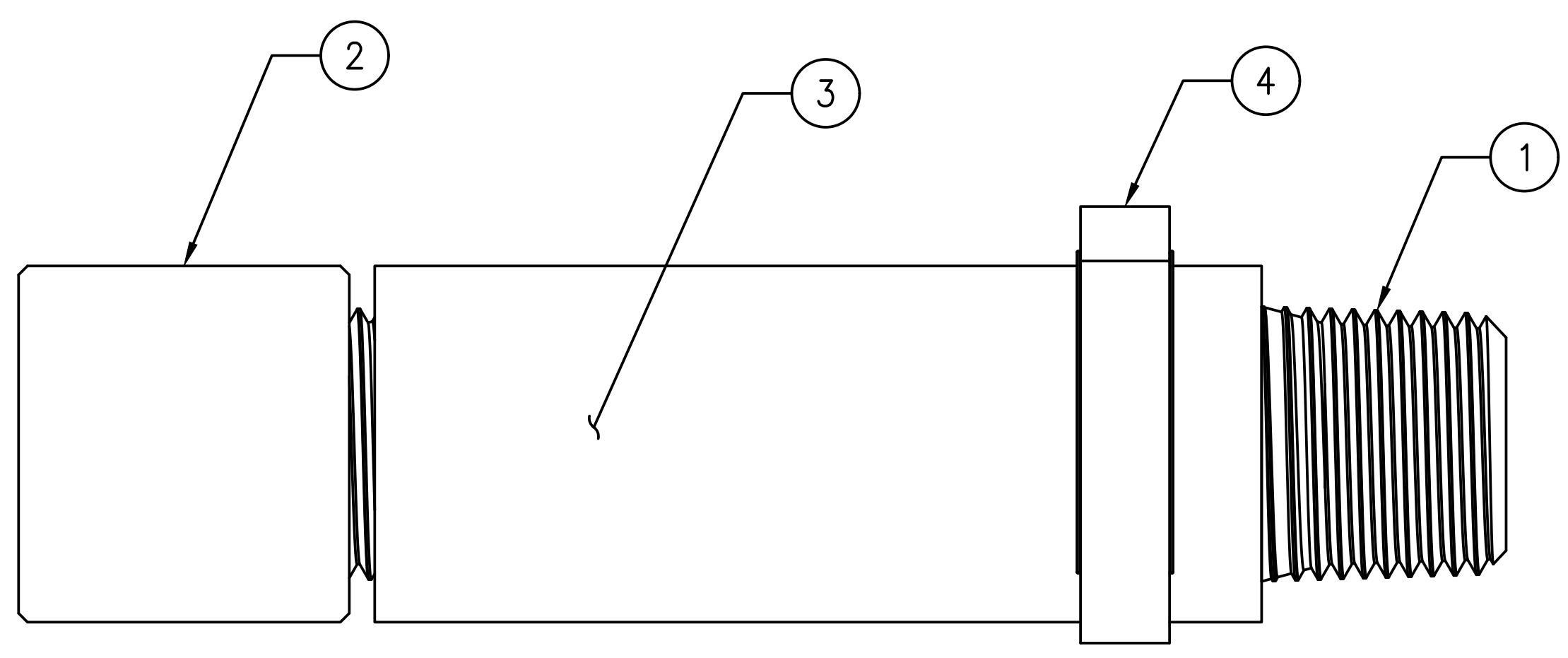


304 STAINLESS STEEL STANDARD WALL PIPE NIPPLE  
3/8" NPT EACH END

(4) SETS OF (2) HOLES EQUALLY SPACED AROUND NOZZLE



NOTES: 1. FOR USE WITH TBM GROUT MIXING BOX

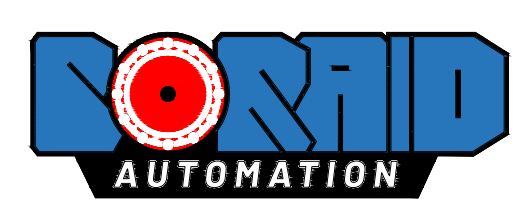


POS	QTY	SUPPLIER	PART NUMBER	DESCRIPTION	MATERIAL
1	1	BORAID AUTOMATION	2024-1500-MK01-00	MIXING NOZZLE FOR MIXING BOX	304 STAINLESS
2	1	McMASTER CARR	4464K86	3/8" STAINLESS STEEL PIPE CAP	304 STAINLESS
3	1	McMASTER CARR	5234K57	5/8"ID x 7/8" OD LATEX RUBBER TUBING	-
4	1	McMASTER CARR	52545K948	VIBRATION-RESISTANT PINCH CLAMP	304 STAINLESS

FILE NAME: 2024-1500-01 GROUT MIXING NOZZLES.DWG; PRINT DATE: 10/7/2025

DESIGNED BY	J.JONASEN
DRAWN BY	J.JONASEN
CHECKED BY	-
IN CHARGE	-
DATE	10.02.2025

REV	DATE	BY	APP	DESCRIPTION



3050 E. AIRPORT WAY  
LONG BEACH, CA 90806  
562.264.2500

GROUT MIXING NOZZLES  
TBM GROUT MIXING BOX NOZZLE

Part Number 2024-1500-MK01-00

CATALOG NO	2024-1500-MK01
DRAWING NO	2024-1500
SCALE	-
SHEET NO	01