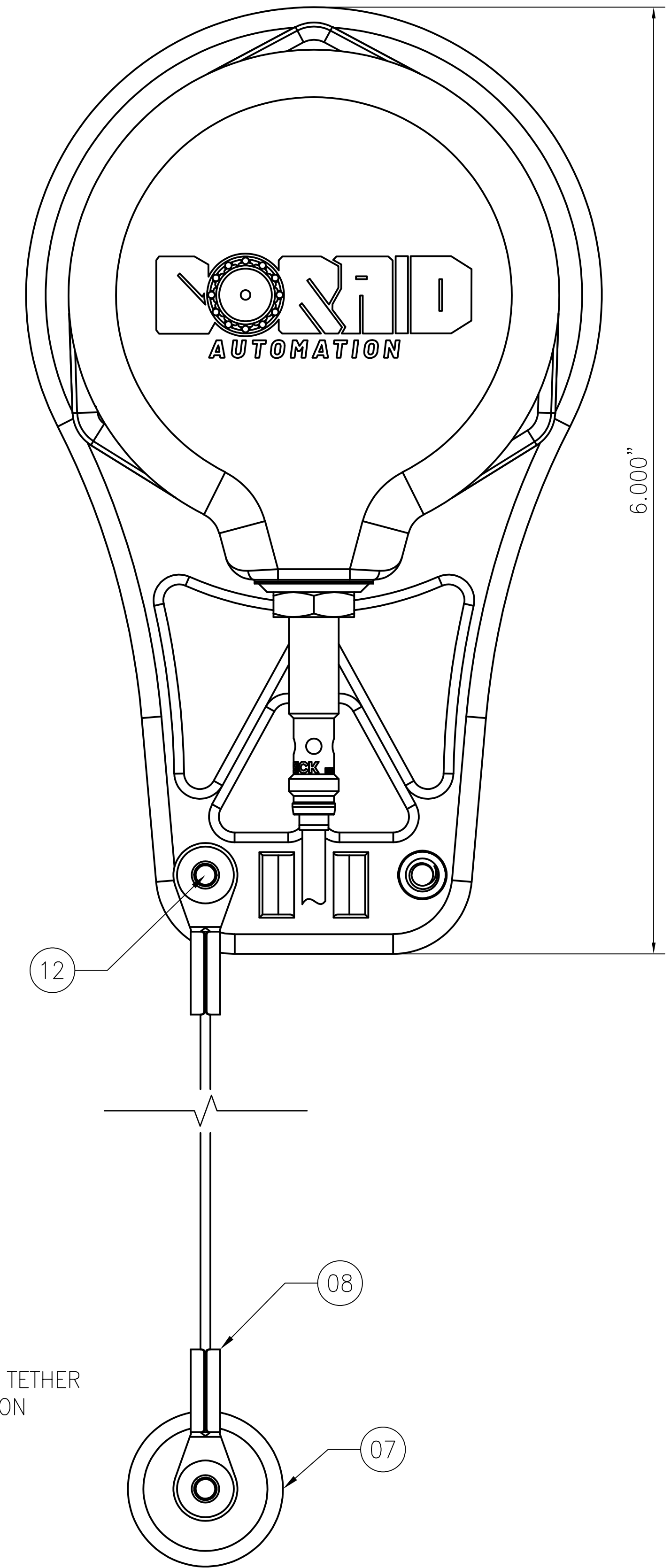
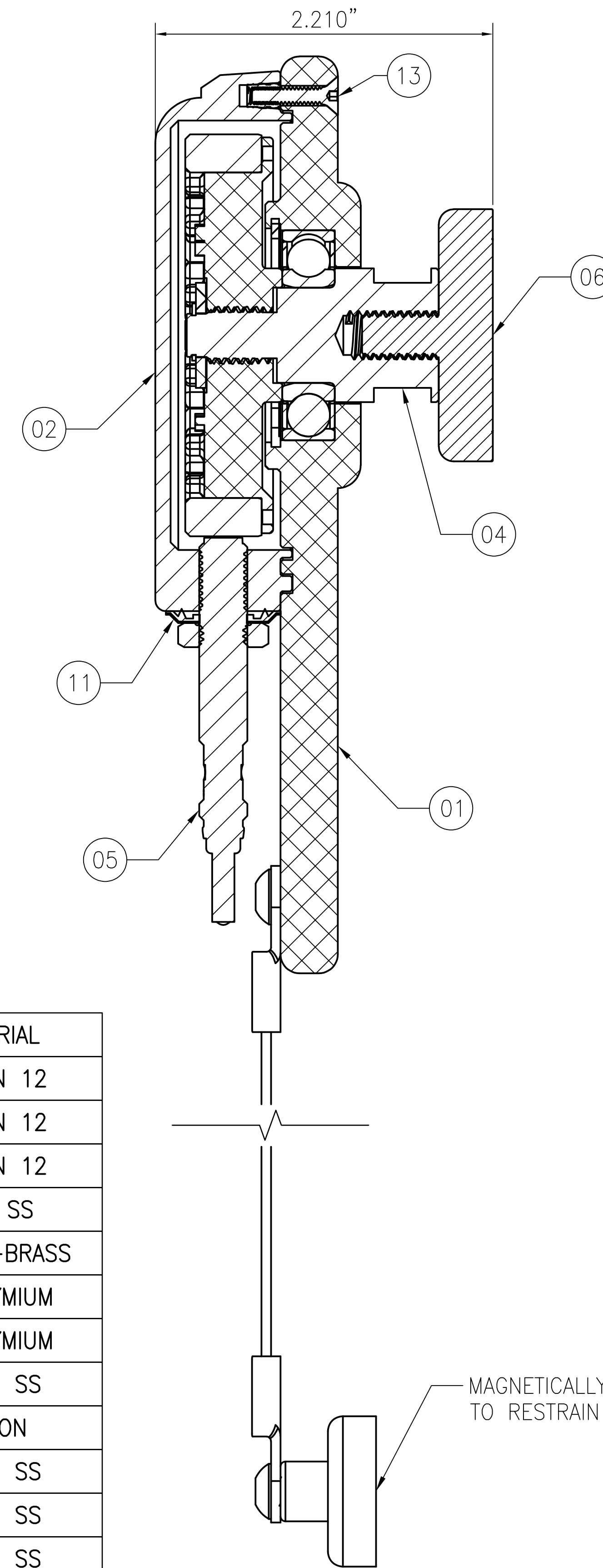
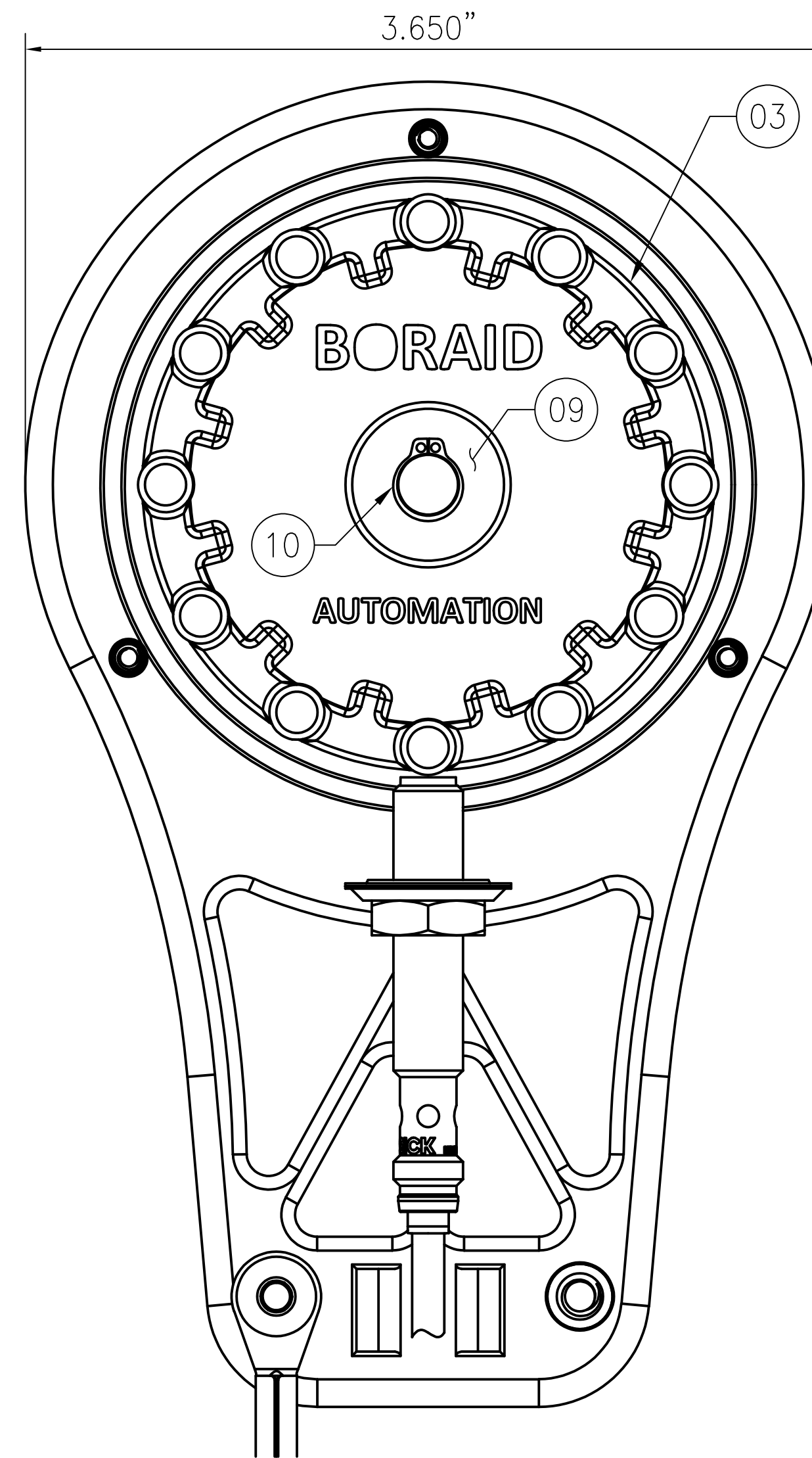
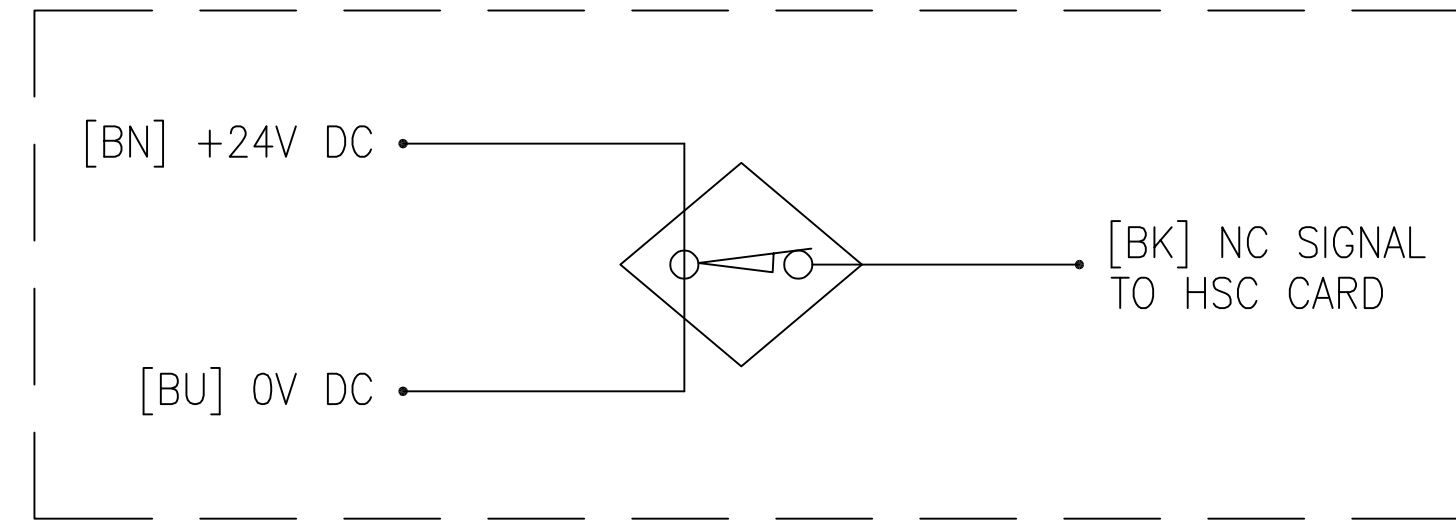


- NOTES:**
1. DEVICE OUTPUT: 12 COUNTS PER REVOLUTION
 2. COMPATIBLE PROXIMITY SWITCH REQUIREMENTS:
 - 2.1. THREAD SIZE: M8x1.0
 - 2.2. SENSING RANGE: 4mm TO 6mm
 - 2.3. MAXIMUM REDUCTION FACTOR FOR STAINLESS STEEL = 0.75
 - 2.4. MINIMUM SENSING RANGE: 3.24mm
 - 2.5. SWITCHING OUTPUT: NPN OR PNP
 - 2.6. FLUSH OR SEMI-FLUSH INSTALLATION
 - 2.7. OUTPUT FUNCTION: NO OR NC
 - 2.8. TERMINATION: CABLE
 3. OPTIONAL PLUG ACCESSORY: AMPHENOL SINE ECOMATE AQUARIUS RTS6BS8N3P & RTS6BS82N3S
 4. THE PRODUCT IS INTENDED SOLELY AS A MONITORING AND INFORMATIONAL DEVICE. IT IS NOT A SAFETY DEVICE AND IS NOT DESIGNED, INTENDED, OR WARRANTED TO REPLACE MACHINE GUARDING, EMERGENCY STOP SYSTEMS, SHUTDOWN OR INTERLOCK SYSTEMS, OVERSPEED PROTECTION, ALARMS, OPERATOR MONITORING, OR ANY OTHER SAFETY DEVICE, SYSTEM, FEATURE, OR PROCEDURE.



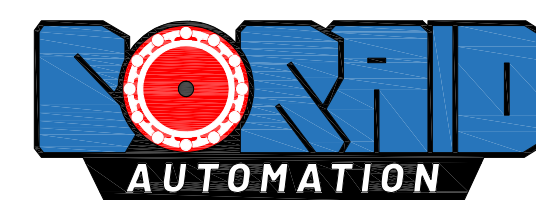
POS	QTY	SUPPLIER	PART NUMBER	DESCRIPTION	MATERIAL
01	1 EA	BORAID AUTOMATION	2024-1253-MK01-02	SENSOR FRAME ASSEMBLY	NYLON 12
02	1 EA	BORAID AUTOMATION	2024-1253-MK02-03	SENSOR COVER ASSEMBLY	NYLON 12
03	1 EA	BORAID AUTOMATION	2024-1253-MK03-02	SENSOR PINWHEEL ASSEMBLY	NYLON 12
04	1 EA	BORAID AUTOMATION	2024-1253-MK05-04	THREADED SHAFT	416 SS
05	1 EA	SICK A.G.	IME08-04BPOZW2S	M8x1.0 INDUCTIVE PROXIMITY SWITCH	NICKEL-BRASS
06	1 EA	McMASTER CARR	3506K66	ENCASED NEODYMIUM MAGNET, 5/16"-18 STUD	NEODYMIUM
07	1 EA	McMASTER CARR	5679K55	ENCASED NEODYMIUM MAGNET, 10-24 HOLE	NEODYMIUM
08	1 EA	McMASTER CARR	30345T139	STAINLESS STEEL LANYARD, 6" LONG	18-8 SS
09	1 EA	McMASTER CARR	92150A223	PLASTIC WASHER FOR 1/4" SCREW SIZE	NYLON
10	1 EA	McMASTER CARR	91590A112	EXTERNAL RETAINING RING FOR $\varnothing 9/32$ " SHAFT	15-7 SS
11	1 EA	McMASTER CARR	91195A146	BONDED SEALING WASHER FOR M8 SCREW	18-8 SS
12	2 EA	McMASTER CARR	92949A240	10-24 x 3/8" LONG BUTTON HEAD SCREW	18-8 SS
13	3 EA	McMASTER CARR	92210A101	4-40 x 9/16" LONG FLAT HEAD SCREW	18-8 SS

MAGNETICALLY AFFIX TETHER TO RESTRAIN ROTATION

FILE NAME: 2024-1253-03 BORAID UNDERGROUND ROTARY TRANSMITTER.DWG; PRINT DATE: 4/26/2026

REV	DATE	BY	APP	DESCRIPTION
02	04.24.2026	JSJ	JSJ	REPLACED BEARING RETAINER WITH SNAP RING, MODIFIED THREADED SHAFT, ADDED CENTERING FEATURE TO PINWHEEL
01	12.02.2025	NAD	NAD	CHANGED THREADED SHAFT TO ACCEPT SNAP RING INSTEAD OF NYLOCK

DESIGNED BY	N.DUNCAN
DRAWN BY	N.DUNCAN
CHECKED BY	J.JONASEN
IN CHARGE	J.JONASEN
DATE	12.02.2025



BORAID AUTOMATION
3050 E. AIRPORT WAY
LONG BEACH, CA 90806
562.264.2500

BORAID AUTOMATION
UNDERGROUND ROTARY TRANSMITTER
—
PRO VERSION DATA SHEET
PATENT PENDING
—

CATALOG NO	2024-1253-03
DRAWING NO	2024-1253
REV	03
SCALE	—
SHEET NO	01